

Apex Superior Construction

Compare these standard features!

3/16" Reinforcing angle for added support

3/16" Plate body is 100% continuously MIG welded on inside

1/2" Flame cut handle with swing type lock

3/8" Rear cross brace angle (not 3/16")

Three 3" base channels

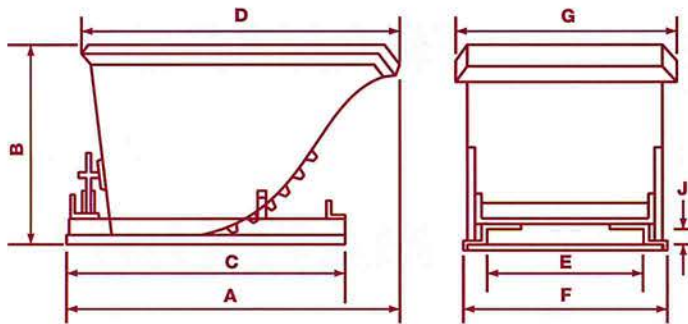
All angles are structural not formed

Optional Hopper Material

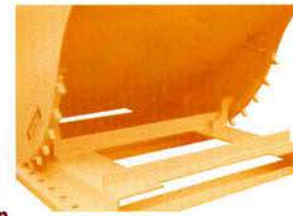
Extra heavy plate steel
Hot dipped galvanized steel
Stainless steel

Painted bright yellow for maximum visibility

Stackable base up to 2 yard
No extra charge



J=2 3/4" Fork clearance - 1/4 through 5 cubic yards



Structural angles and channels

Round & smooth corners (not sharp mitred angles)



1/4" Formed base rails (not 3/16")

Exclusive 5/8" Flame cut rocker with 1" flame cut "S" stop. No pins or rivets to work loose



Hopper Options

Open-end hopper for bar, tubing, lumber
Caster mounted bases
3-Way entry bases
Base legs for pallet trucks
Hinged lids
Enclosed fork pockets & retaining chains

STANDARD SIZES

SIZE	A	B*	C	D	E	F	G	WGT.
1/4 YD	46 1/2	24	42	41	24 7/8	32 3/8	33 1/2	300#
1/2 YD	54	31 1/2	42	52 1/4	24 7/8	32 3/8	33 1/2	470#
3/4 YD	60 1/4	35	54	56 1/4	30 3/4	38 3/8	39 1/2	620#
1 YD	64 3/4	37 3/4	54	62 1/2	30 3/4	38 3/8	39 1/2	660#
1 1/2 YD	75 3/4	46 1/4	60	73	30 3/4	38 3/8	39 1/2	820#
2 YD	75 3/4	46 1/4	60	73	42 1/2	50 1/4	51 1/2	860#
2 1/2 YD	75 3/4	47 1/4	60	73	42 1/2	50 1/4	63 1/2	1170#
3 YD	75 3/4	47 1/4	60	73	42 1/2	50 1/4	75 1/2	1270#
3 1/2 YD	75 3/4	47 1/4	60	73	42 1/2	50 1/4	87 1/2	1560#
4 YD	75 3/4	47 1/4	60	73	42 1/2	50 1/4	99 1/2	1670#
5 YD	75 3/4	47 1/4	60	73	42 1/2	50 1/4	123 1/2	1950#

* Height shown is for standard fork-type mounting
Specifications subject to change without notice

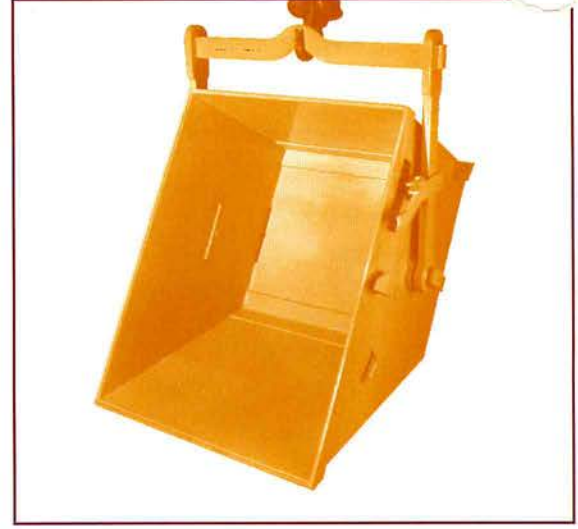
ORDER FROM
DICK JONES SALES, INC.
PO Box 141 Hanover, PA 17331
P 800-441-9955
F 800-253-4036
dickjones@dickjonessales.com

REDUCE MATERIAL HANDLING COSTS WITH

APEX CRANE DUMPING BUCKETS



- **Self-Dumping**
- **Self-Righting**
- **Self-Locking**
- **High Quality Construction**
- **Handle Lock**
- **Maintenance Free**



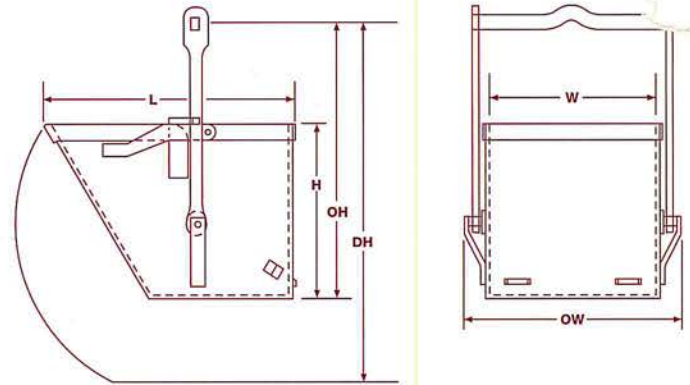
Reduce your material handling costs with Apex Crane Dumping Buckets. These crane dumping buckets are designed to increase production efficiency in foundries, mills, machine shops, manufacturing plants and other material handling facilities by greatly reducing the cost of handling loose bulk materials, waste and scrap, and many other materials.

The bucket design permits easy dumping by throwing a lever. The weight of the loaded material rolls the bucket forward, dumping the load. The smooth bucket interior assures clean, complete dumping of materials; the bucket weight distribution then causes the empty bucket to return to the upright position and lock-automatically... ready for refilling. A handle lock prevents accidental dumping.

The Crane Dumping Buckets are of the highest quality construction, designed for long maintenance-free life. The body of the bucket is constructed of hot rolled mild steel plate, with continuously welded seams. Buckets are reinforced in critical areas-at the front and rear inside bottom corners, on the outside lip, and on both the inside and outside of the bucket pivots. The heavy duty 3 piece bail arm is constructed of flame cut 1 1/4" and/or 1 1/2" plate.

OPTIONS

- **Casters**
- **Lids of various styles**
- **Lanyard release**
- **Fork pockets**
- **Special paint**
- **Other custom features**



STANDARD MODELS

CUBIC YARDS	BODY MATL	DIMENSIONS IN INCHES						APPROX WEIGHT
		L	W	H	OW	OH	DH	
3/4	3/16"	51	30	28	39 3/8	46	63	700#
1	3/16"	53	36	30	45 3/8	51	67 1/2	780#
1 1/2	3/16"	61 5/8	45 3/8	33 1/2	54 3/4	55 1/4	76	1000#
2	1/4"	66	48	36	57 1/2	60	83	1260#

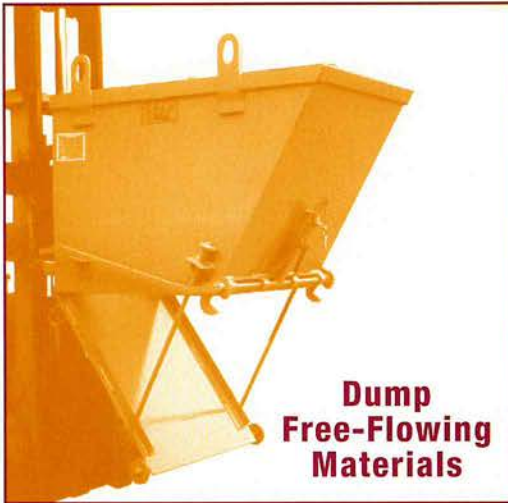
For data on special sizes and extra heavy duty models, write or call.

A P E X
WELDING INC.

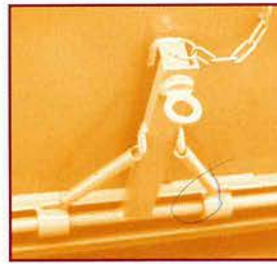


DUMP YOUR BULK HANDLING EXPENSE WITH

APEX MULTI-DUMP BUCKETS



DUMPS FROM A LIFT TRUCK



POSITIVE LOCKING PIN



CAM LATCH



DUMPS FROM A CRANE

Apex Multi-Dump Buckets provide the flexibility of either lift truck or overhead crane operation. The versatile drop bottom alleviates the need to purchase separate containers for lift truck and crane use when handling all types of free flowing bulk materials.

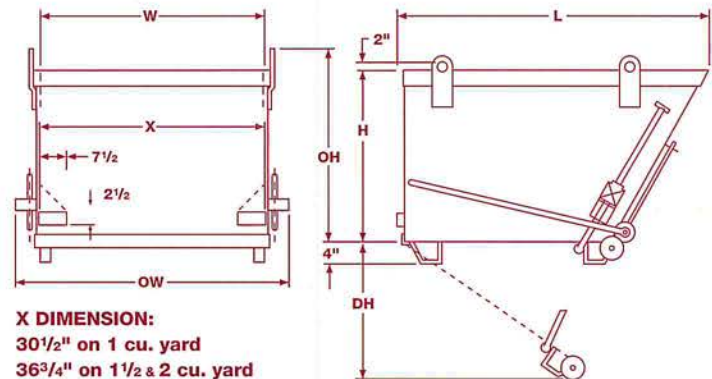
After the Multi-Dump Bucket has been transported to the dumping site, the free flowing material is ready for discharge. A single operator simply retracts the positive locking pin and trips the standard, lanyard style, front release allowing the material to discharge from the bottom door.

The bottom door is closed and locked by simply lowering the Multi-Dump Bucket to a flat surface. For safety purposes, the positive locking pin is reinserted to prevent premature dumping while the unit is being transported. A side release handle may also be used to dump the load.

The Multi-Dump body is fabricated from hot rolled mild steel plate with continuously welded seams. To insure durability, the bucket is reinforced in critical load areas, including the inside bottom corners, outside lip, and the drop door, which is supported by a heavy duty hinge. Standard sizes are 1, 1 1/2 and 2 cubic yards with special sizes and extra heavy duty models optionally available.

O P T I O N S

- Casters
- Lanyard release
- Lids of various styles
- Special paint



STANDARD MODELS								
CUBIC YARDS	BODY MATL	DIMENSIONS IN INCHES						APPROX WEIGHT
		L	W	H	OW	OH	DH	
1	3/16"	63 3/8	31 1/4	34	39 5/8	37	29 1/4	875#
1 1/2	3/16"	66 1/4	37 1/2	40 3/4	45 7/8	43 3/4	36 3/8	1040#
2	1/4"	70 3/8	37 1/2	50	46	53	36 3/8	1300#

For data on special sizes and extra heavy duty models, write or call.

