

**HAMILTON**

THE OFFICIAL GUIDE

**TOUGHEST CASTERS & WHEELS  
ON THE PLANET**



Order from  
Dick Jones Sales, Inc.  
National Distributor  
Phone 800-441-9955  
Fax 800-253-4036  
[dickjones@dickjonessales.com](mailto:dickjones@dickjonessales.com)



# HAMILTON

## A Caster to Some. An Obsession to Hamilton.

We build the toughest casters and wheels on the planet. Need proof? Studies by major industry publications rank Hamilton #1 in quality and reliability. Plus, other critical categories like delivery speed, competitive pricing, support and rep's technical knowledge.

### The industry's best warranty.

We're confident of our durability. That's why we offer the industry's best three-year manufacturer warranty.

### PRONTO® same-day shipping. Get it fast. Get it now.



We pioneered the first quick-ship program in 1967. Now, we're the only caster manufacturer that ships nearly all of its line the same day you order. No extra charge.

### Made in America since 1907.

Our history dates back more than 100 years. Innovations like Spinfinity™ maintenance-free casters, coupled with our commitment to lean manufacturing, consistently move Hamilton to the forefront of the industry.

### We do carts and trailers, too.

Need a trailer for those casters? Choose from 100s of Hamilton standard carts, or endless custom solutions.

### The Revolution Blog

Find out how Hamilton hauled the Mars Rover and built a trailer from milk jugs.

# Heavy Manufacturing

Load Ratings: 3,000 – 40,000 lbs.

### Grueling jobs demand the most durable casters and wheels.

When it comes to the world's heaviest, grittiest industries and applications, no caster and wheel manufacturer has the technical know-how like Hamilton. We bring more than 100 years of expertise and a range that includes the highest capacity and largest casters on the planet.

### Industries & Applications

- Heavy fabrication
- Heavy material handling
- Energy – oil & gas
- Aerospace & defense
- Steel, mining, aggregate
- Transportation & construction



**Maxi-Duty (MD)**  
3,000 – 23,000 lbs.  
Mounting Plate: 8-1/2" x 8-1/2"



**Enhanced Precision Super Duty (EPSD)**  
2,000 – 10,000 lbs.  
Mounting Plate: 6-1/2" x 7-1/2"



**Extra Heavy Duty (EHD)**  
1,600 – 5,000 lbs.  
Mounting Plate: 6-1/8" x 7-1/2"



**Spinfinity™ Kingpinless (ZFSEC)**  
1,800 – 6,000 lbs.  
Mounting Plate: 5-1/4" x 7-1/4"



**Forged Steel (FS)** 3,000 – 23,000 lbs.  
Our highest capacity wheel, made virtually indestructible with Hamilton's forgings and solid billet design. Machined smooth wheel treads aid turnability under heavy loads.



**Superlast® (SY)** 3,500 – 6,000 lbs.  
Features our classic poly with a 1" thick tread bonded to a heavy forged steel center. Keeps floors protected without sacrificing load capacity or durability.



**Superlast® XC (SY70)** 840 – 10,000 lbs.  
Our highest capacity polyurethane wheel with 30% more load-bearing capability than standard Superlast. Extra-hard tread wards off debris and foreign objects.



**Press-On Rubber (POR)** 2,800 – 9,300 lbs.  
With more cushion than poly tread, our highest capacity rubber wheel series curbs the effects of shock loading. Heavy-duty cast iron center with smooth tread.



**Ultra Maxi-Duty (UMD)**  
17,600 – 40,000 lbs.  
Mounting Plate: 14" x 14"



**Maxi-Duty Dual Wheel (MDD)**  
5,000 – 15,600 lbs.  
Mounting Plate: 8-1/2" x 8-1/2"



**Mini-Mite Low Profile (MM)**  
2,500 – 16,000 lbs.  
Overall Height: 6"



**Press-On Poly (POY)** 4,300 – 14,400 lbs.  
Extra-thick, extra wide urethane wheels for industrial trailers 5 tons and up. Solid tire chemically bonded to replaceable steel rim, pressed onto a cast-iron center.



**Duralast® (D)** 475 – 9,000 lbs.  
Outwears rubber by 5-10 times. 95A liquid-cast polyurethane tread chemically bonded to a heavy-duty cast iron center. Non-marking; easy rolling.



**Solid Pneumatic (SPRT)** 1,000 – 4,200 lbs.  
Go wild with Hamilton's heavy-duty ground support tires for rugged and outdoor applications. Outer tread resists abrasion. Perfect for towing.



**Nylast™ (NY)** 2,000 – 10,000 lbs.  
Specially formulated, heavy-duty cast nylon strengthens load-bearing capability. Well-suited for corrosive environments. A solid, viable alternative to steel.







# Industrial

**Load Ratings: 1,500 - 4,000 lbs.**

**America's backbone rides on ultra-durable casters and wheels.**

Since 1907, Hamilton's legendary casters have helped industrial manufacturers crank up production and squash downtime. Industrial casters are the core of our business and always will be. To our customers, we aren't just a caster manufacturer. We're assurance that no matter what, the job always rolls forward.

## Industries & Applications

- Manufacturing plants
- Heavy machinery
- Fabrication
- Maintenance repair & operations
- Warehouse & distribution
- Tooling fixtures, die carts



**Champion (CH)**  
1,600 - 4,000 lbs  
Mounting Plate: 5-1/4" x 7-1/4"



**Spinfinity™ Kingpinless (ZFFM)**  
1,600 - 3,500 lbs.  
Mounting Plate: 4-1/2" x 6-1/2"



**Heavy Service (HS)**  
600 - 2,000 lbs.  
Mounting Plate: 4-1/2" x 6-1/2"



**Spinfinity™ Kingpinless (ZFHS)**  
600 - 2,500 lbs.  
Mounting Plate: 4-1/2" x 6-1/2"



**Dual Wheel Heavy (HS2)**  
1,150 - 3,000 lbs.  
Mounting Plate: 4-1/2" x 6-1/2"



**Workhorse (WH)**  
600 - 2,000 lbs.  
Mounting Plate: 4" x 5"



**Duralast® (D)** 475 - 9,000 lbs.  
Hamilton's classic 95A liquid-cast polyurethane tread chemically bonded to a heavy-duty cast iron center. Outwears rubber by 5-10 times. Wheel diameters up to 20".



**Ergo-Glide™ (SP)** 560 - 2,800 lbs.  
A favorite among ergonomists and plant managers, this wheel offers excellent rollability, improved floor protection, and resistance to foreign objects and debris.



**Metal/Cast Iron (M)** 250 - 7,000 lbs.  
The most durable and highest quality metal wheels in heavy industry. Compared to competitors, Hamilton's feature less scrap metal content and larger hubs.



**DuraGlide (95E)** 1,600 - 8,100 lbs.  
Hamilton's ergonomic superstar. Its 1" thick ether-based poly sports excellent rollability to curb injury risk, and runs cool under continuous use to extend service life.



**Phenolic (P) & Laminated Phenolic (LP)**  
1,500 - 4,000 lbs.  
Standard phenolic wheels up to 16" diameter serve up high capacity at a low cost. Laminated models bolster impact strength by 35% and load capacity by 25%.



**Nylast™ (NY)** 2,000 - 10,000 lbs.  
A viable alternative to steel, our specially formulated cast nylon boosts load capacity and impact strength. Resists chemicals and moisture, and protects floors.

# Aerospace & Ground Support

**Load Ratings: 1,000 - 15,000 lbs.**

## On the ground, rugged casters and wheels lift aerospace manufacturers.

While most casters call the factory floor “home,” our aerospace and ground support line rolls indoors and out. Whether it’s with puncture-proof tires that haul aircraft wings over a tarmac, or heavy-duty casters that roll the Mars Rover in a space agency laboratory, Hamilton helps the aerospace industry soar.

### Industries & Applications

- Aircraft manufacturing
- Military, defense and space
- Ground support
- Trailers & dollies
- Airlines & airports
- Maintenance & engine stands



**Cush-N-Aire (7000)**  
330 - 3,800 lbs.  
Pneumatic tire; heavy-duty forged steel swivel construction



**Heavy Duty Zinc (7100)**  
330 - 3,800 lbs.  
Pneumatic tire; heavy-duty forged steel, zinc plated swivel construction



**Heavy Duty Dual (7200)**  
660 - 7,600 lbs.  
Dual pneumatic tires; heavy-duty forged steel swivel construction



**Ground Support (7500)**  
1,500 - 4,200 lbs.  
Dual solid pneumatic wheels; heavy-duty forged steel swivel construction



**Dual Wheel Ground Support (7700)**  
2,000 - 8,400 lbs.  
Dual solid pneumatic wheels; heavy-duty forged steel swivel construction



**Spinfinity™ Kingpinless (ZFHS)**  
600 - 2,000 lbs.  
Mounting Plate: 4-1/2" x 6-1/2"



**Spinfinity™ Kingpinless (ZFFM)**  
1,600 - 3,500 lbs.  
Mounting Plate: 4-1/2" x 6-1/2"



**Shock Absorbing Champion (SPCH)**  
140 - 1,630 lbs.  
Mounting Plate: 5-1/4" x 7-1/4"



**Cush-N-Flex (8000)**  
300 - 800 lbs.



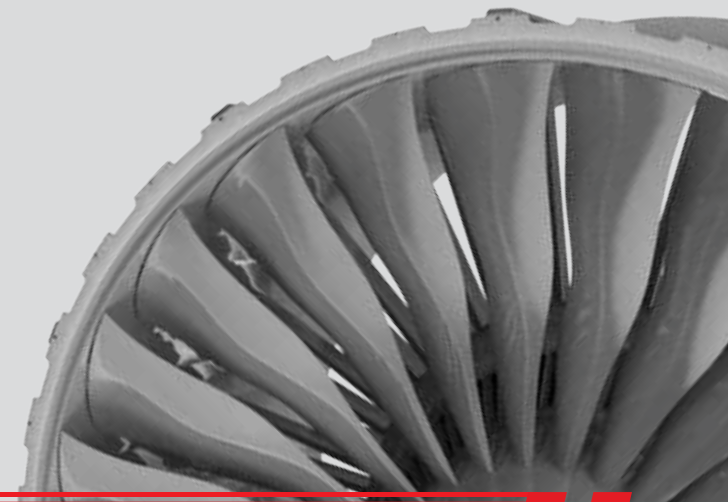
**Heavy Duty Pneumatic (PR) & Solid Pneumatic (SPRT)**  
1,000 - 4,200 lbs.  
Puncture-proof, heavy duty pneumatic wheels built for ground support provide exceptional stability and dependability.



**Super-Flex™ (SU)** 300 - 1,200 lbs.  
Extra soft (60D), puncture-proof rubber tire vulcanized to a cast aluminum center delivers superior cushioning for outdoor use, like baggage trailers.



**DuraGlide (95E)** 1,600 - 8,100 lbs.  
The best poly choice for outdoor applications. Its 1" thick 95A hardness, ether-based poly resists the sun's UV rays, and won't break down under rugged, continuous use.



# Automotive & Ergonomic

Load Ratings: 500 - 6,000 lbs.

## No-maintenance casters. No downtime.

Time is money, right? Hamilton's Spinfinity™ maintenance-free series curbs costly downtime that puts the brakes on assembly lines. With a 100% maintenance-free construction, Spinfinity keeps grease in and debris out. And protects against shock loading and abusive turns. Did we mention it's maintenance free?

## Industries & Applications

- Automotive
- Consumer & food products manufacturing
- Safety initiatives
- Carts & trailers
- Production dollies
- Warehouse & distribution



**Spinfinity™ Kingpinless (ZFWH)**  
600 - 2,500 lbs.  
Mounting Plate: 4" x 5"



**Spinfinity™ Kingpinless (ZFHS)**  
1,600 - 3,000 lbs.  
Mounting Plate: 4-1/2" x 6-1/2"



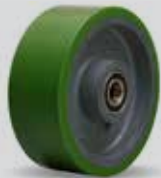
**Spinfinity™ Kingpinless (ZFFM)**  
1,600 - 3,200 lbs.  
Mounting Plate: 4-1/2" x 6-1/2"



**Spinfinity™ Kingpinless (ZFSEC)**  
1,600 - 6,000 lbs.  
Mounting Plate: 5-1/2" x 6-1/2"



**Standard Duty Kingpinless (52K)**  
300 - 1,200 lbs.  
Mounting Plate: 4" x 4-1/2"



**Duralast® (D)** 475 - 9,000 lbs.

95A liquid-cast polyurethane tread chemically bonded to a heavy-duty cast iron center. Outwears rubber by 5-10 times. Non-marking; easy rolling under heavy loads.



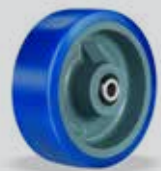
**Swivel-EAZ™ (SW)** 500 - 5,900 lbs.

Twin-wheel liquid cast polyurethane on aluminum curbs rolling resistance, boosts capacity and cuts the need for costly dual-wheel casters.



**Polylast (AY)** 300 - 1,500 lbs.

Polylast wheels last a lifetime without maintenance. 80A polyurethane donut tread combined with maintenance-free ball bearings for effortless rolling.



**Ergo-Glide™ (SP)** 560 - 2,800 lbs.

A favorite among ergonomists and plant managers, this wheel offers excellent rollability, improved floor protection, and resistance to foreign objects and debris.



**Ergo-Glide™ XT (EGXT)** 800 - 3,800 lbs.

Its 1" thick poly offers 30% more capacity over standard Ergo-Glide. Protects floors, lowers noise levels and resists debris.



**Ultralast™ (TR)** 900 - 4,200 lbs.

Our best-rolling, high performance urethane runs cool under continuous use for extended service life. Rebound measures 110% higher than Duralast.





# Automatic Guided Vehicles

**Load Ratings: 600 – 15,000 lbs.**

**HPI™ swivel technology keeps 24/7 operations from grinding to a halt.**

AGVs can dramatically lower operating costs – so long as the casters can keep up under continuous, heavy use. That's why we created HPI™ (Hamilton Precision Integrated) swivel technology. With more than double the number of contact points, HPI outperforms conventional CNC-machined ball raceways, kingpinless and unit load-bearing swivel constructions. Plus, it features 45% harder raceways and an ultra-smooth 16 micro-inch surface.

## Industries & Applications

- AGV manufacturers
- Automation
- Warehouse & distribution
- Picking systems
- Line stock delivery



**Enhanced Heavy Service (EHS)**  
600 – 2,000 lbs.  
Mounting Plate: 4-1/2" x 6-1/2"



**Enhanced Heavy Dual (EHS2)**  
1,200 – 3,000 lbs.  
Mounting Plate: 4-1/2" x 6-1/2"



**Enhanced Precision Super Duty (EPSD)**  
2,000 – 10,000 lbs.  
Mounting Plate: 6-1/2" x 7-1/2"



**Extra Heavy Duty (EHD)**  
1,600 – 5,000 lbs.  
Mounting Plate: 6-1/8" x 7-1/2"



**Spring Loaded Heavy Service (SPHS)**  
1,200 – 3,000 lbs.  
Mounting Plate: 4" x 5"



**DuraGlide (95E)** 1,600 – 8,100 lbs.  
A 1" thick ether-based poly runs cool under continuous, heavy loads to boost service life. High rebound provides excellent rollability for AGVs and tow-line carts.



**Ultralast™ (TR)** 900 – 4,200 lbs.  
Hamilton's ultra-high performance urethane runs cool under continuous high speeds to extend service life. Rebound measures 100% higher than Duralast.



**Ergo-Glide™ XT (EGXT)** 800 – 3,800 lbs.  
A debris-resistant, 1" thick poly offers 30% more capacity than standard Ergo-Glide. With quiet operation and floor protection, it's popular among AGV users.



**Swivel-EAZ (SW)** 500 – 5,900 lbs.  
Twin-wheel liquid cast polyurethane on aluminum curbs rolling resistance, increases capacity and cuts the need for costly dual-wheel casters.



# Custom Casters & Wheels

## Got a thorny, hellish, or colossal job? Tame it with a custom Hamilton.

When boilerplate won't do, Hamilton designs and builds custom casters and wheels to conquer the heaviest, grittiest and most complex jobs. Try us on for size and gain access to our in-house caster and wheel plant, complete machine shop, metalworking department and woodworking facilities.



### All stainless steel caster rolls in line.

To compensate for uneven floors, this custom caster features back-to-back inline wheels that support each other. It keeps the aerospace manufacturer's 15,500-pound, top secret loads completely level.

- High-grade 316L stainless steel won't contaminate clean room
- 40-millimeter double-sealed ball bearings
- 21" long caster stands 10" tall



### Swivel corner dolly navigates 7.5 tons through claustrophobia-inducing aisles.

A manufacturer of large-scale salinization equipment needed a dolly to haul 15,000 pounds. But with two major caveats: it required four different sets of swivel, and its height couldn't exceed 10".

- Three swivel casters, each equipped with a 6" by 3" forged steel wheel mounted to a swiveling plate for precise turning
- 9.8" overall height



### Triple-wheel ground support caster: stability comes in threes.

To move an HVAC system the size of an oil truck, our engineers spec'd a heavy-duty swivel caster with three - not two - rugged, rubber-tired wheels for extra stability.

- 21" diameter by 6" wide solid rubber tires
- Tapered bearings for shock loading and side forces
- Reinforced axle boosts strength and durability

### Center flange guide wheel conquers a steamy situation.

While most track wheels feature a flange on one or both sides, this Hamilton innovation sports a rare center flange. It guides loads inside and out of an autoclave, and withstands temperatures up to 500° F.

- Special high-heat, maintenance free bearings
- 8" diameter solid steel wheel
- Mounted to a no-offset kingpinless caster



### Spring-loaded swivel stem caster for on-the-fly airplane maintenance.

The aerospace manufacturer's techs call it a caster on steroids because of its extreme height and springs. This allows them to move maintenance stands into place, and dismount the casters while they repair planes.

- Springs protects against shock loading
- Caster stands 17.5" tall uncompressed
- Ergo-Glide wheels roll quietly, resist debris



### Move over, steel: urethane-coated wheels take to the track.

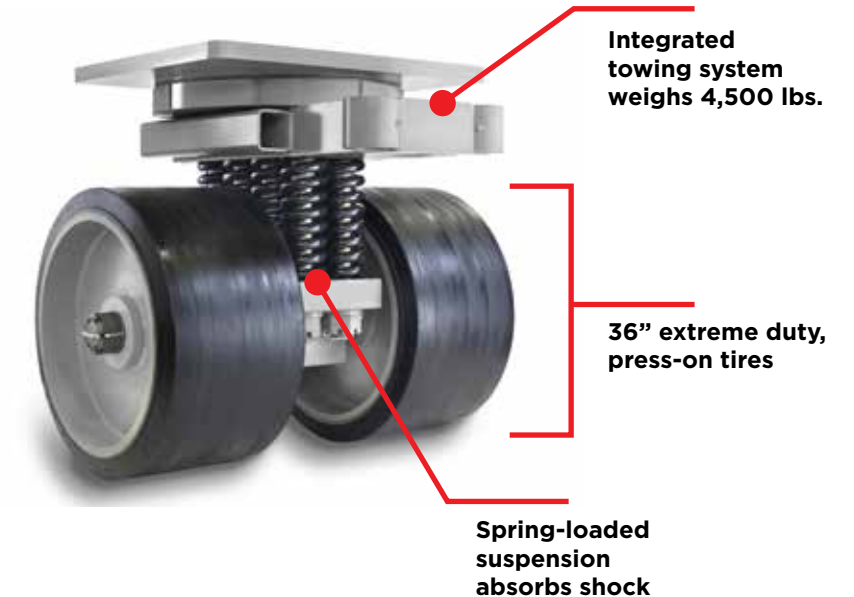
Who says all track wheels should be made of steel? Hamilton molds polyurethane onto track wheels, which protect floors, help rails last longer, and roll quietly.

- Choose from any of our four poly formulas
- Wheel centers include cast iron, Nylast, nylon 6, phenolic and more

## Colossus: The 200 ton-toting casters you'll want to take a selfie with.

There's no job too colossal for Hamilton. Meet Colossus, a series of four 100,000-pound capacity casters we designed and custom built for a federal contractor. Each caster towers 52 inches above the factory floor and weighs more than 8,000 pounds.

- 36" extreme duty, press-on tires
- Spring-loaded suspension absorbs shock
- Integrated towing system weighs 4,500 lb



*"This is what Hamilton Caster does. They are the best out there as far as custom products go, and we needed that on this project. They really came through in a big way."*







# Track

**Load Ratings: 500 – 18,000 lbs.**

**Production stays on track with the best casters and wheels.**

Ready to take loads off the factory floor and kick production into high gear? Hamilton's line of ultra-durable, smooth rolling, v-grooved and flanged wheels run on in-plant tracks to create an instant production line. Transport auto parts, packaged goods, frozen foods and practically anything on an inverted angle iron (V-grooved) or a rail-type track.

## Industries & Applications

- Manufacturing plants
- Assembly fixtures
- Production lines
- In-floor conveyors
- Autoclaves
- Cranes & hoists



**Steel/Iron V-Groove (V)**  
325 – 16,500 lbs.



**Stainless Steel V-Groove (VSS)**  
325 – 1,000 lbs.



**Single & Double Flanged Track (R-FT/D)**  
500 – 18,000 lbs..



**Steel/Iron V-Groove (V)** 325 – 7,500 lbs.

These popular wheels offer high load capacities, easy rolling and controlled flow. Great for industrial carts, assembly fixtures, racks, containers and more.



**Phenolic V-Grooved (PV)** 325 – 1,250 lbs.

Less-than-whisper quiet. A low-cost option for taking loads off the floor, and creating production in-line flow. Relief groove in the V self cleans wheel and track.



**Steel/Iron Single Flange (WFT)**  
500 – 18,000 lbs.

Ramp up productivity, increase load capacities, protect floors and control flow with Hamilton's easy-rolling, industrial flanged track wheels.



**Nylast™ Single Flange (WFT-NY)**  
1,000 – 2,000 lbs.

Create an instant production line in sanitary or corrosive environments. Moisture and chemical-resistant heavy-duty cast nylon boosts impact strength and durability.



**Stainless Steel V-Groove (VSS)** 380 – 1,250 lbs.

Our highest capacity wheel for corrosive and wash-down environments. 303 solid stainless steel with a machined V-groove ensures proper weight distribution.



**Nylast™ Double Flange (WFTD-NY)**  
1,000 – 2,000 lbs.

The same great benefits of our Nylast single flange models, but with a flange on both sides of the wheel.



**Steel/Iron Double Flange (WFT-2)**  
1,500 – 18,000 lbs.

These wheels offer all the same great benefits of our steel/iron single flanged units, but with a flange on both sides of the wheel.



**Nylast™ V-Grooved (VNY)**  
500 – 1,500 lbs.

Excellent alternative to steel for controlled flow in corrosive environments. Diameters range from 3" – 12".



# Wash Down & High Heat

## No rusty, half-baked casters and wheels here.

Hamilton's line of wash down and high-heat casters and wheels are specially formulated for the harshest applications. Splash them with blood, brine, salt, grease, oils and chemicals. Or roll them in blistering temperature environments. Need help choosing the right caster for an extreme job?

Featured here are mostly washdown casters and wheels

## Industries & Applications

- Food manufacturing
- Pharmaceutical
- Bakeries
- Coating/finishing systems
- Research labs, clean rooms
- Autoclaves, heat treating



**Workhorse Stainless (WHS)**  
550 - 1,600 lbs.  
Mounting Plate: 4" x 5"



**Spinfinity™ Kingpinless (ZFWH)**  
600 - 2,500 lbs.  
Mounting Plate: 4" x 5"



**Stainless Medium Duty (STA)**  
350 - 800 lbs  
Mounting Plate: 4" x 4-1/2"



**Stainless Light Duty (STL)**  
240 - 325 lbs.  
Mounting Plate: 2-3/8 x 3-5/8"



**Stainless Steel (S)** 450 - 1,500 lbs.  
These rust-resistant wheels shine in high temperature and corrosive environments. Best for heavy loads in food processing, chemical plants, pharmaceutical and more.



**Nylast™ (NY)** 2,000 - 10,000 lbs.  
Specially formulated, heavy-duty cast nylon strengthens load-bearing capability. A viable alternative to steel. Well-suited for corrosive and sanitary environments.



**White Nylon (WN)** 350 - 1,100 lbs.  
Nylon 6 resists water, solvents, and most chemicals and cleaning solutions. High capacity with exceptional abrasion resistance. Steam cleanable.



**Aqualite® (A)** 200 - 900 lbs.  
Liquid resistance and high-impact strength at a low cost. Made from injection-molded plastic with larger hubs and rims to boost durability. Available maintenance-free.



**Unilast® (UY)** 200 - 900 lbs.  
High-performance solid elastomer wheels designed for medium loads in hostile environments. Steam cleanable. Standard hardness 75-80 Shore D.



**Poly-Tech® (NF)** 350 - 1,200 lbs.  
Sleek, resilient wheels for sanitary use. They feature a non-marking, steam cleanable tread of red polyurethane mechanically bonded to a harder polypropylene center.



**Hi-Heat (HHNY)** 400 - 1,400 lbs.  
Bring the heat. Our specially formulated wheels withstand temperatures up to 550° F, and wear longer than high-temp phenolics.

