

Foster

To Inquire or Order Please Contact
Dick Jones Sales, Inc.
P 800-441-9955
F 800-253-4036
dickjones@dickjonesales.com

Standard Models ON-A-ROLL LIFTER®

Designed specifically for sign makers and other businesses with the need to handle wide or heavy media rolls. It enables users to quickly and effortlessly lift media as heavy as 660 lbs (300 kg) and as wide as 16.4 feet (5 m), with diameters as great as 15.75 inches (40 cm). The ergonomic pull bar allows users to maneuver around tight corners and through narrow passages.



IMPORTANT FEATURES

- Easy-to-use operation reduces on-the-job injuries
- User-friendly operation avoids costly and dangerous handling mistakes that damage media
- Single-person operation saves labor and time
- Designed to operate even in shops with limited floor space
- Rugged construction ensures long lifter life
- Newly Updated ergonomic pull bar

SPECIFICATIONS

	61584	61586
Roll Weight Capacity	300 kg (660 lbs)	300 kg (660 lbs)
Lift Height	85 cm (33.5")	85 cm (33.5")
Max. Roll Width	2.5 m (8'.2")	5 m (16'.4")
Max. Roll Diameter	40 cm (15.75")	40 cm (15.75")
Width x Depth	80 cm x 80 cm (31.5" x 31.5")	120 cm x 80 cm (47.25" x 31.5")
Height	119.4 cm (47")	119.4 cm (47")
Weight	80 kg (177 lbs)	85 kg (188 lb)
Bottom Fork Clearance	10 cm (4")	10 cm (4")

2-year warranty on all wheels, hydraulics and media tray.
5-year warranty on cross bars.

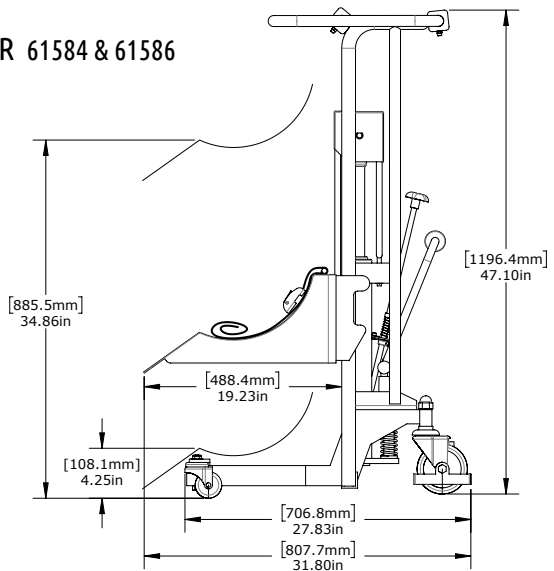
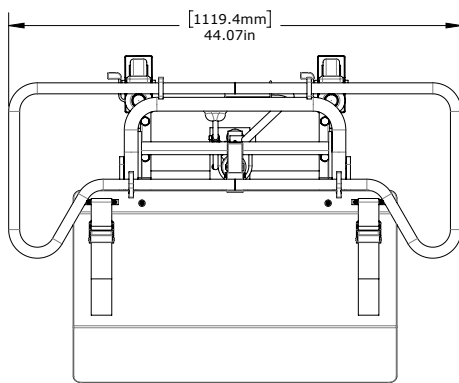


Standard Models ON-A-ROLL LIFTER® SPECIFICATIONS 61584 & 61586

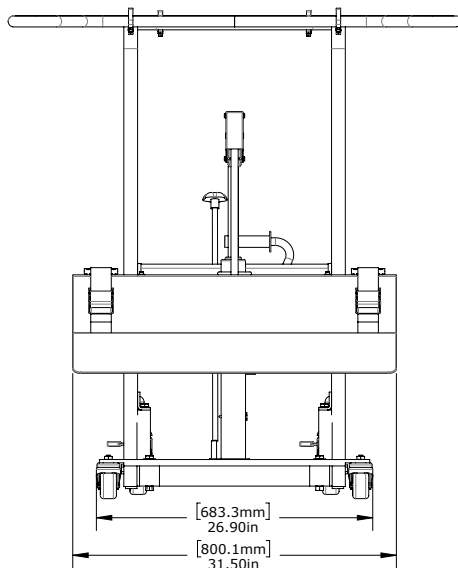
Find the right On-a-Roll Lifter® to fit your printer.

Please use the dimensions below to help you determine which Standard Model On-a-Roll Lifter® is the right fit for your printer. Still have questions? Call 800.523.4855.

UNIVERSAL FOR 61584 & 61586



SPECIFICATIONS 61584



SPECIFICATIONS 61586

