



***THE WORLD LEADER IN COMPACT
MATERIAL HANDLING SOLUTIONS***

***Retrofitable drive
unit to motorize a
manual pallet jack***



PRICE \$1695.00

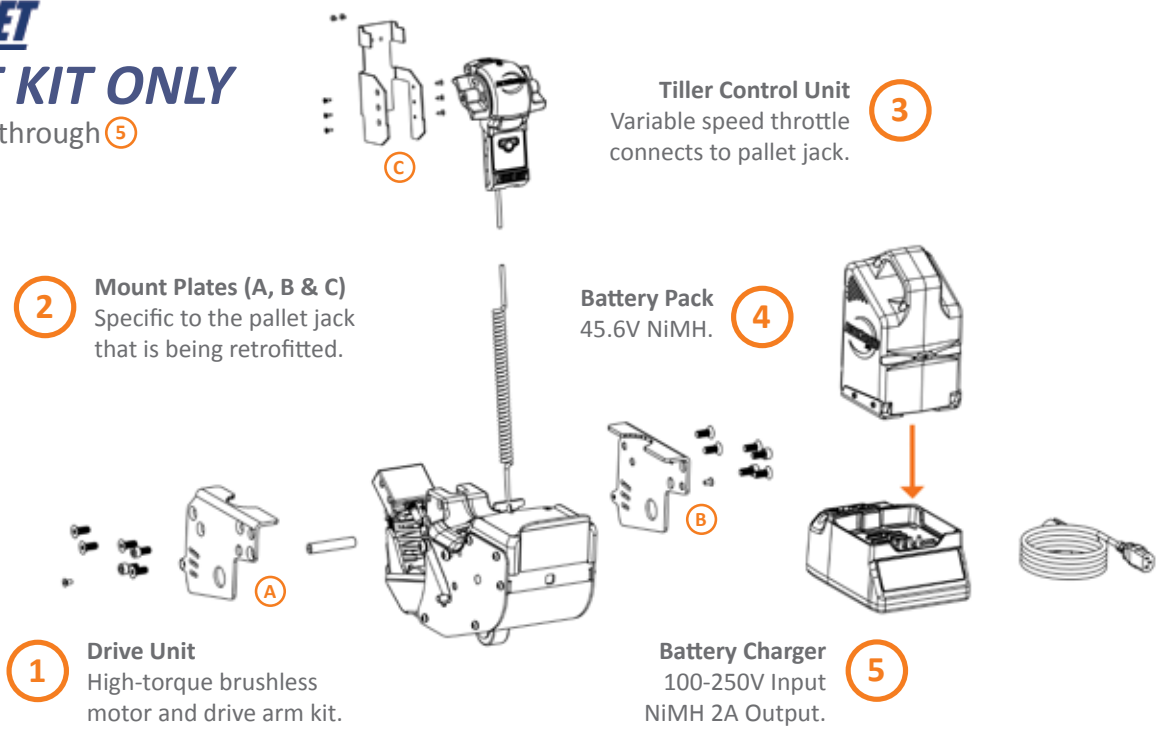
POWERPALLET
MODEL 2000

SPECIFICATION SHEET

POWERPALLET

RETROFIT KIT ONLY

Includes Items ① through ⑤



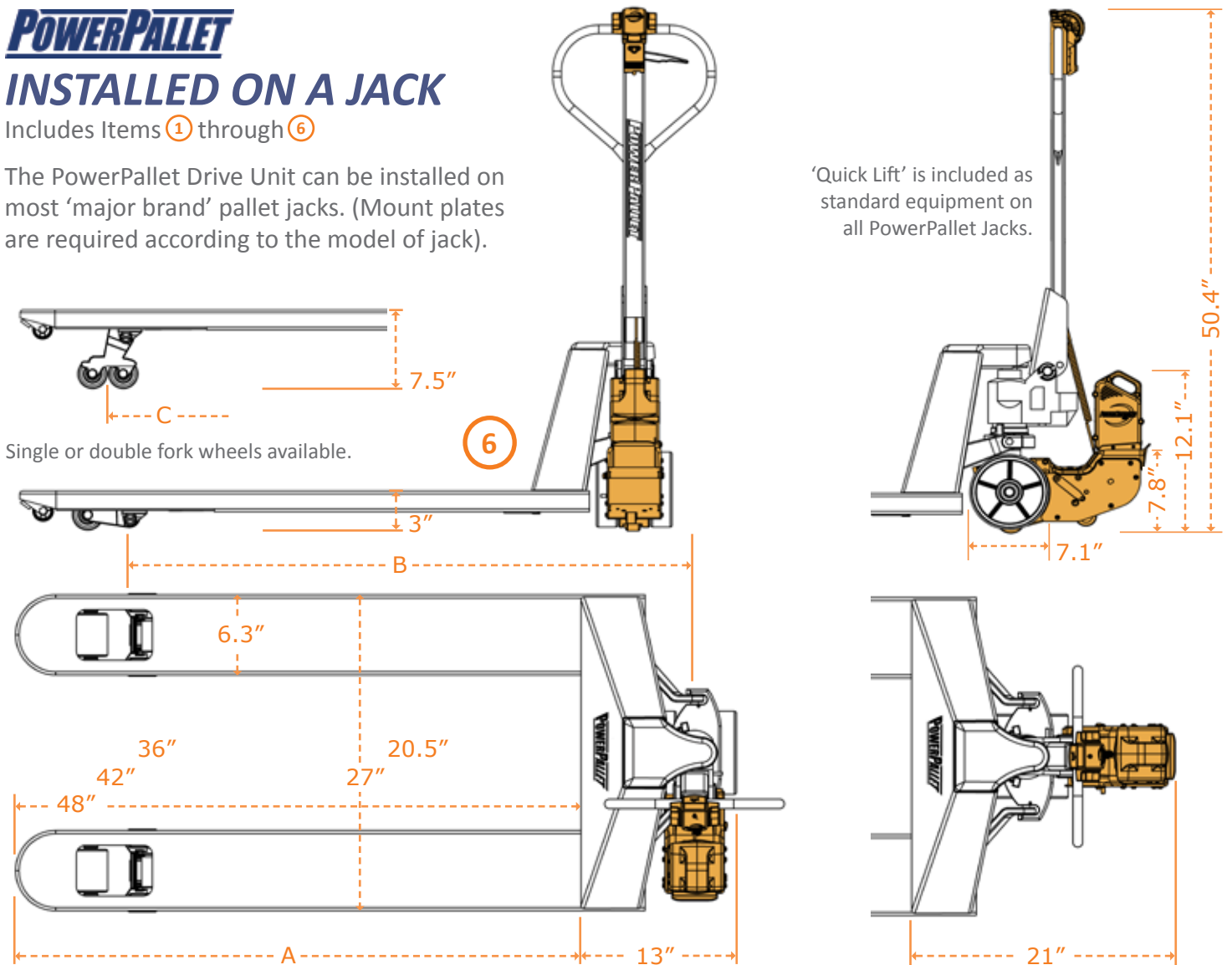
POWERPALLET

INSTALLED ON A JACK

Includes Items ① through ⑥

The PowerPallet Drive Unit can be installed on most 'major brand' pallet jacks. (Mount plates are required according to the model of jack).

'Quick Lift' is included as standard equipment on all PowerPallet Jacks.



TECHNICAL SPECIFICATIONS

IDENTIFICATION:

Manufacturer	PowerHandling Inc.
Model	PowerPallet 2000
Drive System	Brushless DC Motor, Quick Change Battery Pack
Operator Type	Hand
Load Capacity / Rated Load	5,500 lbs (on the flat) *
Load Centre Distance	23.6" (A)
Load Distance, Centre of Drive Axle to Fork	37.2" (Distance with forks raised) (B)
Wheelbase	46.0" (Distance with forks raised) (C)

BATTERY PACK:

Amp Hours	5Ah
Voltage	45.6V
Recharge Time	2 hours from 80% depletion
Type of Battery	NiMH
No. Recharge Cycles	400 (Approx., depending on usage)
Battery Weight	9 lbs

WEIGHT:

Service Weight (Pallet Jack / Complete Package)	160 lbs (Jack) + 45 lbs (Drive + Battery) = 205 lbs
Axle Load, with Load, Drive Wheel / Fork Wheel	2,681 / 3,024 lbs
Axle Load, without Load, Drive Wheel / Fork Wheel	53 / 40 lbs

WHEELS:

Size - Pallet Jack Steer Wheels / Load Rollers	7.1" / 3.0" Diameter
Type - Pallet Jack Steer Wheels / Load Rollers	PU on Steel or Solid Nylon / PU on Steel

OTHER:

Length to Face of Forks / Head Length (at 90° turn)	13" (The same distance as for a manual jack)
Machine Noise at Full Speed	70 dBA
Installation Time (on a manual jack)	10-20 Minutes
'Quick Lift' included as standard on PowerPallet Jacks	To achieve max. height, load <300 lbs

PERFORMANCE SPECIFICATIONS

MODE TYPE:	WAREHOUSE MODE	TRUCK MODE **	MANUAL MODE
Travel Speed MPH (Fwd/Rev)	3.7 (Programmable) ***	1.5 (Programmable) ***	Manual
Lowering Speed	Controllable / Hydraulic	Controllable / Hydraulic	Controllable / Hydraulic
Max. Gradeability	0%	0%	0%
Service Brake	250 lbf (1111N)	250 lbf (1111N)	Manual
Acceleration (Adjustable)	2.5 f/s ²	2.5 f/s ²	-

* If the pallet jack is rated less than 4,500 lbs, the combined rating would be the same as for the pallet jack.

** In Truck Mode the PowerPallet Jack can be driven with the handle in the vertical position, necessary in trucks / tight quarters.

*** The max. speed(s) in each mode can be set lower according to the owner's preference.

PLEASE NOTE:

- Dimensions shown are for a standard, PowerPallet supplied 27" x 48" jack. Many alternative sizes of jacks can be provided.
- Specifications are subject to change at any time without notice. Due to various configurations and tolerances, PowerHandling Inc. does not take responsibility for the accuracy of given data.

MANEUVERABILITY

Turning Radius	Same as for a Manual Jack (50.5" on a std 48" Jack)
Overall Length (Pallet Jack + PowerPallet)	Refer to Diagram
Overall Widths (Pallet Jack + PowerPallet)	Refer to Diagram
Very Light	160 lbs (Pallet Jack) + 45 lbs (Drive Unit + Battery)
Low Turning Force on Tiller (Upright Tiller)	16-18 lbf (70-80N) with approx. 1000 lbs load on pallet

- **POWERFUL & FAST**

Rated to 5,500 lbs with a user-settable maximum speed of up to 3.7 mph.

- **NEVER "DOWN"**

Quick-charge battery packs.
Switch back to a 'manual jack' in <15 sec's.

- **ULTRA COMPACT**

Same turning circle as for a manual jack.
There's nothing smaller!

- **EASY TO MANEUVER**

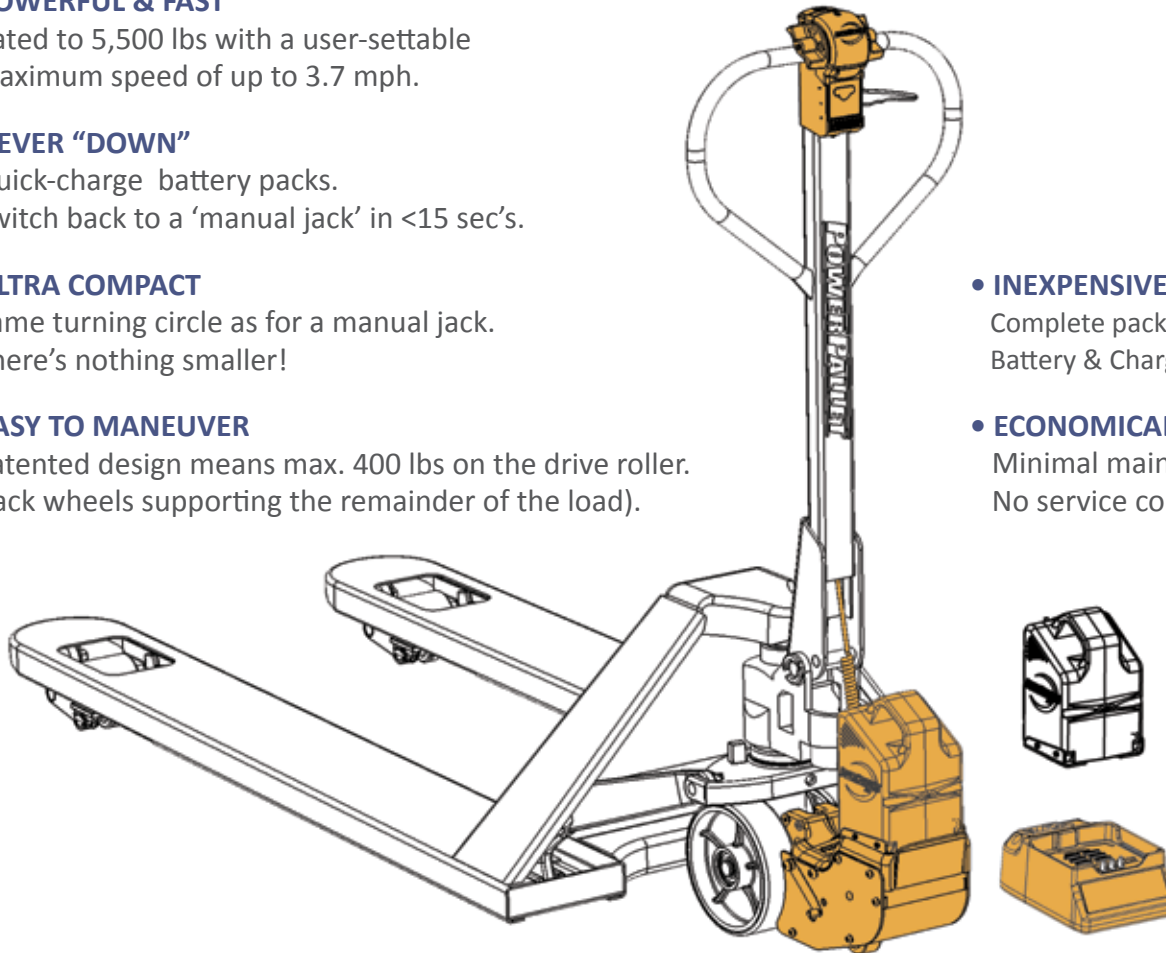
Patented design means max. 400 lbs on the drive roller.
(jack wheels supporting the remainder of the load).

- **INEXPENSIVE TO BUY**

Complete package of Drive Unit.
Battery & Charger from just **\$1,695**.

- **ECONOMICAL TO OWN**

Minimal maintenance...
No service contracts necessary.



TO ORDER OR INQUIRE CONTACT

DICK JONES SALES, INC.

PO Box 141

Hanover, PA 17331

Phone 800-441-9955

Fax 800-253-4036

Email dickjones@dickjonessales.com