

ThermoGuard

UnderSeal

The **ThermoGuard** UnderSeal is designed to block the space under pit levelers, where dust and debris can collect and heating and cooling can escape. Also deters unwanted insects and small animals from entering the facility.



Cleaner Dock Area

Reduces Dust, While Preventing Debris and Trash from Collecting Under the Pit Leveler.



Energy Efficient

- Guards Against The Elements by Reducing Cold/Hot Air, Rain or Snow from Entering the Facility
- Helps Employees Maintain a More Comfortable and Healthier Work Environment, thereby Creating Greater Productivity.
- Blocks the Gap at the Dock/Trailer Level

Product Construction

- Made with Heavy Duty 22 oz. Vinyl Material
- Works in Conjunction with Pit Leveler Weatherseals

Sizes Available

6'W, 6 1/2' W and 7'W Pit Levelers with Standard 20" and 24" Deep Pits

Warranty

Pioneer Provides a One (1) Year Warranty on Material and Workmanship

Guarantee

Pioneer Will Provide Our Standard Warranty or Match any Documented Competitive Warranty in the Industry for Comparable Models. There is No Fine Print. *We Build It and We Guarantee It!*



Rugged. Dependable. PIONEER.

ThermoGuard

UnderSeal

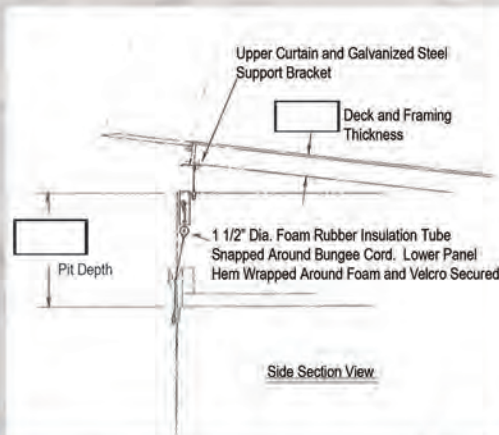
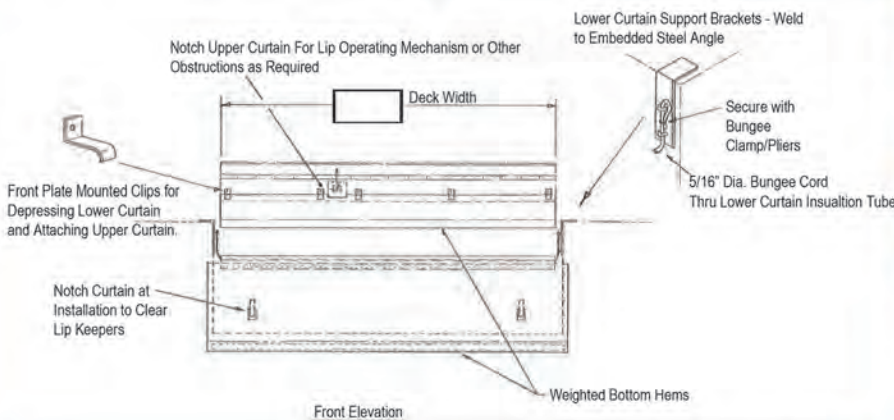
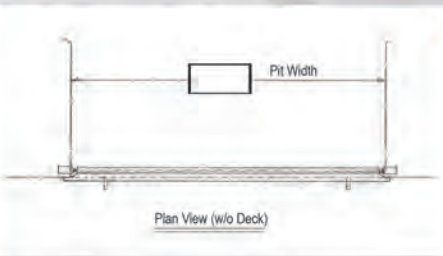
Installation

- Installs in about one (1) hour.
- Fits any standard pit leveler.

Maintenance

- Virtually NO maintenance required.
- Panels can be easily removed for regular dock maintenance/repair.
- Panels and parts can be quickly and easily replaced.

PIONEER offers a complete line of finely crafted, technologically advanced loading dock equipment, including **Mechanical and Hydraulic Pit Levelers, Edge-of-Dock and Hydraulic Top of Dock Levelers, Portable Dock boards, Vehicle Restraints, Dock Seals & Shelters, High Speed Fabric Roll-Up Doors, and other quality accessories.** Just call us toll free for personal, professional customer assistance and responses to all of your product needs.



Rugged. Dependable. PIONEER.

Dealer Locations

Call Dick Jones Sales 800-441-9955