

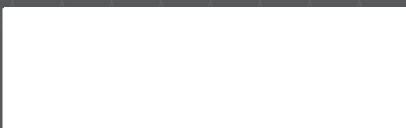
A photograph showing a person from the waist down, wearing dark pants, pushing a blue hand truck. The hand truck is loaded with several large cardboard boxes. The background is a blurred warehouse or industrial setting with shelves and lights.

# Material Handling Solutions

## ***New Items Inside***

Pages 12, 16 & 17

Order from Dick Jones Sales, Inc.  
P.O. Box 141  
Hanover, PA 17331  
Phone 800-441-9955  
[dickjones@dickjonessales.com](mailto:dickjones@dickjonessales.com)



Hand Trucks  
A-Frames  
Platform Trucks  
Security Trucks  
EZ Dump Hopper System  
Waste & Chip Trucks  
Trailers  
Box Dumpers  
Work Tables

# Table of Contents

## Hand Trucks

Drum Trucks .....	4
Distribution Trucks .....	6
Pallet Trucks.....	7
Pallets.....	7
Cylinder Trucks .....	9
Multi-Use Trucks .....	10
Casino Truck .....	10
HVAC Trucks .....	11

## Carts & Trucks

Modular A-Frame Bin Carts.....	12
Heavy Duty A-Frames.....	13
Platform Trucks .....	14
Security Trucks .....	16

## Tilt Trucks

Mobile Hoppers .....	17
Waste & Chip Trucks .....	18

## Trailers

Four-Wheel Steer Trailers .....	19
---------------------------------	----

## Box Dumpers

Box Dumpers .....	22
-------------------	----

## Shop Accessories

Work Tables.....	23
Post Protectors.....	23



# Drum Trucks

Valley Craft's line of drum handling trucks is the answer to safe and effective manual transport and handling of drum inventories, and is available in a variety of styles to accommodate virtually any need. Choose from 2- and 4-wheel models. Both provide complete operator control and easy maneuverability on flat surfaces, ramps and inclines. And all Valley Craft drum trucks feature our EZY-Tilt® design, making break-over of even the heaviest loads incredibly simple.



**2-Wheel EZY-Rol™ Automatic Drum Trucks** feature ValleyCraft's exclusive EZY-Tilt® design and spring-loaded chime hook so the operator never has to touch the drum. Choice of steel or aluminum. Shoes adjust to handle 30- and 55-gal. drums up to 1,000 lbs. Available with optional hand brakes for added safety. Replaceable wheels, shoes and axles available. Five-chime hook and three-wheel options available.

## 2-Wheel Steel, Standard Chime

Model	Description	Product Weight
F81600A9	Pneumatic	67 lbs
F82025A4	Pneum. w/brake	78 lbs
F81735A7	Solid	70 lbs
F82150A1	Solid w/brake	78 lbs
F81895A3	Mold-On	66 lbs

## 4-Wheel Steel, Standard Chime

Model	Description	Product Weight
F82375A0	Pneumatic	45 lbs
F83160A7	Pneum. w/brake	50 lbs
F82895A1	Solid	50 lbs
F83450A6	Solid w/brake	55 lbs
F82845A2	Mold-On	55 lbs



**4-Wheel EZY-Rol™ Automatic Drum Trucks** are available in steel or spark resistant aluminum and feature Valley Craft's exclusive EZY-Tilt® design and spring-loaded chime hooks. Operator never has to touch the drum. Trucks handle 30- and 55-gal. drums up to 1,000 lbs. Available with optional hand brakes. Models feature replaceable wheels shoes and axles. Five-chime hook and 3-wheel options available.

## 2-Wheel Aluminum, Standard Chime

Model	Description	Product Weight
F81500A0	Pneumatic	45 lbs
F81925A7	Pneum. w/brake	50 lbs
F81625A0	Solid	50 lbs
F82050A2	Solid w/brake	55 lbs
F81770A3	Mold-On	55 lbs

## 4-Wheel Aluminum, Standard Chime

Model	Description	Product Weight
F82175A2	Pneumatic	49 lbs
F82960A1	Pneum. w/brake	54 lbs
F82425A0	Solid	48 lbs
F83210A7	Solid w/brake	52 lbs
F82645A4	Mold-On	50 lbs

Replaceable shoes are welded to a 12"-long shaft which is inserted into the truck frame for extra strength. Shoe size: ½" thick x 3" wide x 5½" long.

**All drum trucks feature standard chime hook. Special chime hooks available for an additional charge.**

Our exclusive, automatic, spring-loaded chime hooks are an essential part of Valley Craft's EZY-Tilt® design. Loading and unloading is as easy as 1, 2, 3 and the operator never has to touch the drum.



1. Place shoes securely against base of drum.



2. Tip frame against drum to engage hook.



3. Break over load and rest on all four wheels.



## Optional Chime Hooks:

Spring-loaded automatic chime hooks are unique to Valley Craft drum trucks and offer drum handlers a safer and easier alternative. All drum trucks feature a standard chime hook. However, hooks come available in a variety of styles for effective handling of almost any type of drum.



### Standard Hook

Automatically engages drum. Comes standard on automatic drum trucks.



### Plastic Drum

Hook Drops over bung hole projection on standard drums. May be used on aluminum truck.



### Cable Hoop

Hook Cable on standard chime hook wraps around drums without a chime.



### Fiber Drum Hook

Reaches an extra inch to hook rim of fiber drums. Also handles standard drums.



### Locking Cover Hook

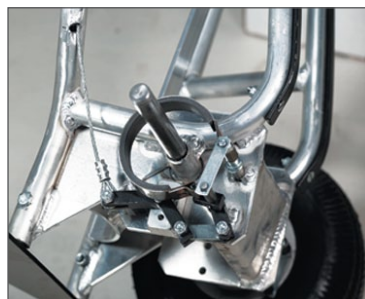
Handles drums with Locking cover. May be used on aluminum truck and handles standard drums.

**NOTE: When ordering optional chime hooks, add the following letters to the model number:**

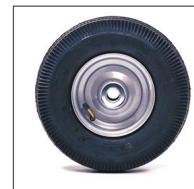
- P = Plastic Drum Hook
- C = Cable Hoop Hook
- F = Fiber Drum Hook
- L = Locking Cover Hook

## Optional Braking System:

Our unique braking system features a simple hand lever that operates brake bands equally on both load-carrying wheels, providing a safer and more efficient way to move heavy loads. These brakes give the operator complete control on ramps and inclines, and keep the wheels stationary while breaking over loads. Not available with molded-on solid rubber tires.



## Tire Options:



### Pneumatic Tire

12 x 3½" Disassembles to replace tire and tube.



### Solid Rubber Tire

10 x 2½" Standard tire on all drum trucks.



### Molded-On Tire

10 x 2½" Brakes not available with this wheel.



# Distribution Trucks

Built to handle heavy, cumbersome loads and crafted to last through years of rugged use. Valley Craft's distribution line is backed by our quality guarantee to ensure you of a superior product with maximum capability.



**Loop-handle utility trucks** are similar to standard beverage trucks and easily maneuver with just one hand for maximum versatility. Aluminum tubing construction is lightweight and easy to handle. Features heavy-duty, 8"- deep, steel shoe. Replaceable steel axle is protected by a sturdy housing and rolls smoothly on maintenance-free, sealed bearings. Oversized skidrails are protected by replaceable steel guards. Standard shoe size is 8" x 16". Truck measures 51"H x 20½"W and rolls easily over virtually any surface on premium pneumatic tires.  
**Item no. F84335 A5, 600-lb. capacity**



**Trayless 12-pack delivery trucks** have an extra wide frame to securely handle bulky trayless beverage packs, and its light weight aluminum frame makes it easy to transport. Standard shoe size is 8" x 16". Truck measures 51"H x 19½"W and rolls easily over virtually any surface on premium pneumatic tires. Oversized skidrails are protected by replaceable steel guards.  
**Item no. F81797A2, 600-lb. capacity**



**Case trucks** are the same width as a beverage case and conveniently fit into tightly stacked rows of cased goods. The aluminum frame has a long straight design to handle cases stacked six high. Heavy-duty, 8"-deep, steel shoe is standard. Replaceable steel axle is protected by a sturdy housing and rolls smoothly on maintenance-free, sealed bearings. Oversized skidrails are protected by replaceable steel guards. Standard shoe size is 8" x 16". Truck measures 51"H x 19½"W and rolls easily over virtually any surface on premium pneumatic tires.  
**Item no. F84580 A7, 600-lb. capacity**



**Standard utility trucks** have a large, functional frame for moving materials of all types, both in plant and on deliveries. Frame has curved back bands and twin handles. Aluminum tubing construction is lightweight and easy to handle. 1½" O.D. steel tubing frames are also available for long-lasting, heavy-duty use. All joints are form-fitted for maximum strength and durability. Steel axle is replaceable. Standard shoe size is 10" x 19". Truck measures 51"H x 23"W and rolls easily over virtually any surface on premium pneumatic tires.  
**Item no. F84066A0, 600-lb. capacity**



**Standard twin-handle beverage trucks** have a tapered frame with twin handles and are available with a flat back or curved back bands for cylinder handling. Capacity is 10 cases, two half barrels or one CO2 cylinder. Aluminum tubing construction is lightweight and easy to handle. Heavy-duty, 8"-deep and 10"-deep steel shoes are standard. Optional hand brakes provide control over heavy loads for safer transport on ramps, stairs and over curbsides.

## Curved Back Beverage Truck

Model	Dimensions	Shoe	Tires	Capacity
F83880A6	51"H x 20½"W	8" x 16"	Premium Pneum	600 lbs
F83881A5	51"H x 20½"W	10" x 16"	Premium Pneum	600 lbs
F83970A7	51"H x 19"W	8" x 16"	Premium w/brakes	600 lbs
F83971A6	51"H x 19"W	10" x 16"	Premium w/brakes	600 lbs

## Flat Back Beverage Truck

Model	Dimensions	Shoe	Tires	Capacity
F83937A9	51"H x 20½"W	8" x 16"	Premium Pneum	600 lbs
F83947A7	51"H x 20½"W	10" x 16"	Premium Pneum	600 lbs
F83941A3	51"H x 20½"W	8" x 16"	Premium w/fenders	600 lbs
F83944A0	51"H x 20½"W	10" x 16"	Premium w/fenders	600 lbs

# Pallet Trucks

EZY-Tilt® handling trucks makes material handling easier than ever before. The EZY-Tilt® design reduces handling of cargo and eliminates damage. Simply slide the angled truck forks under the load, tilt forward to lock forks in place and break-over the load.



**EZY-Tilt® Pallet Trucks** are constructed of rugged 14-gauge, 1½" O.D. steel tubing with form-fitted joints and solid welds, with reinforcement intentionally placed at the points of greatest stress. Steel, double-forked shoe locks into position automatically and is easily released by tripping a foot lever. Forks are available in two standard lengths. 1" steel axle is encased in a protective housing. Available with optional hand brakes. Replaceable parts include shoes, axles, wheels and tires for easy service and longer life. Optional aluminum frame is lighter than its steel counterpart, but just as reliable. Constructed of 1½", spark-resistant tubing, aluminum is recommended for services when the truck must be transported, and for use around corrosive materials. 1000-lb. capacity.

## Standard 2-Wheel, Steel Frame

Model	Frame H x W	Shoe	Tires
F84731A5	48 x 14½"	11"	Pneumatic
F84738A8	48 x 14½"	13¾"	Pneumatic
F84878A8	48 x 14½"	11"	Pneumatic w/Brakes
F84879A7	48 x 14½"	13¾"	Pneumatic w/Brakes
F84760A9	48 x 14½"	11"	Solid
F84776A1	48 x 14½"	13¾"	Solid
F84882A2	48 x 14½"	11"	Solid w/Brake
F84883A1	48 x 14½"	13¾"	Solid w/Brake
F84790A3	48 x 14½"	11"	Mold-On
F84793A0	48 x 14½"	13¾"	Mold-On

## Standard 2-Wheel, Aluminum Frame

Model	Frame H x W	Shoe	Tires
F84725A3	48 x 14½"	11"	Pneumatic
F84727A1	48 x 14½"	13¾"	Pneumatic
F84876A0	48 x 14½"	11"	Pneumatic w/Brakes
F84877A9	48 x 14½"	13¾"	Pneumatic w/Brakes
F84745A9	48 x 14½"	11"	Solid
F84753A8	48 x 14½"	13¾"	Solid
F84880A4	48 x 14½"	11"	Solid w/Brake
F84892A0	48 x 14½"	13¾"	Solid w/Brake
F84797A6	48 x 14½"	11"	Mold-On
F84752A9	48 x 14½"	13¾"	Mold-On

**Plastic Pallets** designed especially for EZY-Tilt® Pallet Trucks, come in two different sizes with a stringer height of 1½" to meet your various handling needs. Pallets are black in color and easily handle up to 800 lbs. Sold in bundles of 25.

**Item no. Z84976A3: 12" x 24"**

**Item no. Z84978A1: 15" x 24"**

Model No.	Deck Size	Stringer Height	Type	Color	Load Capacity (lbs)	Product Weight (lbs)
Z84976A3	12 x 24"	1 ½"	Plastic	Black	800	1
Z84978A1	15 x 24"	1 ½"	Plastic	Black	800	1 1/4



# Pallet Trucks



**4-Wheel Deep Frame Steel Pallet Truck** feature a set of 6" swivel casters mounted on extended skid rails, allowing the truck to carry the entire weight of the load. The rear wheels fix the angle at which the frame is balanced, so these trucks are recommended for use on flat surfaces or inclines of no more than 10 degrees and with loads that are not extremely deep in relation to the height. Features 13¾" shoe and 10" solid tires. Frame measures 48 x 14½". Constructed of 14-gauge, 11/8" O.D. steel tubing. Replaceable parts include shoes, axles, wheels and tires for easy service and longer life.  
**Item no. F84813A6, 1000-lb. capacity.**



**4-Wheel Deep Frame Bag & Box Trucks** features a set of 6" swivel casters mounted on extended skid rails, allowing the truck to carry the entire weight of the load on the 10" rugged, steel shoe. Choose from 14-gauge, 1½" O.D. steel tubing frame with form-fitted joints, or 1½", spark-resistant aluminum frame. Available with optional hand brakes.

## 4-Wheel, Steel

Model	Frame H x W	Shoe	Tires
F84808A3	54 x 14½"	10x19"	Solid
F84825A2	54 x 14½"	10x19"	Solid w/Brake

## 4-Wheel, Aluminum

Model	Frame H x W	Shoe	Tires
F84800A1	54 x 14½"	10x19"	Solid
F84820A7	54 x 14½"	10x19"	Solid w/Brake



**2-Wheel Deep Frame Pallet Truck** has a 6" longer frame and 19" skid rails to prevent truck from falling back on operator. Features 14-ga., 1½" O.D. steel tubing with formfitted joints and solid welds, or 1½", spark-resistant aluminum tubing. Available with optional hand brakes. 1000-lb. capacity.

## Deep Frame, Steel

Model	Frame H x W	Shoe	Tires
F84907A3	54 x 14½"	13¾"	Pneumatic
F84940A2	54 x 14½"	13¾"	Pneumatic w/Brakes
F84910A8	54 x 14½"	13¾"	Solid
F84944A8	54 x 14½"	13¾"	Solid w/Brake
F84911A7	54 x 14½"	13¾"	Mold-On

## Deep Frame, Steel

Model	Frame H x W	Shoe	Tires
F84906A4	54 x 14½"	13¾"	Pneumatic
F84908A2	54 x 14½"	13¾"	Solid
F84938A6	54 x 14½"	13¾"	Pneumatic w/Brakes

# Cylinder Trucks

EZY-Rol™ and EZY-Tilt® brand heavy-duty specialty trucks are known for their longevity. The design and superior quality of these units make specialty applications safe and simple.

**Spark-resistant aluminum cylinder trucks** for safe, efficient handling of pressurized tanks. Choose the heavy duty single frame for cylinders 9" in diameter, or the multi-tank frame that fits over the regular box frame for use with most standard size cylinders. Balanced frames roll easily on 12" x 3½", fully-pneumatic tires and feature hand brakes for added safety. Multitank frame is available with and without brakes. 1" steel axle is enclosed in protective housing with sealed bearings. Trucks are constructed of 1½" O.D. aluminum tubing with notched joints and solid welds. 600-lb. capacity



## Single Cylinder Aluminum Frame

Model	Dimensions	Shoe Size
F81238A9	49"H x 20"W	4" x 11½"S
F81303A9	49"H x 23"W	7" x 14½"S

## Two-Cylinder Aluminum Frame

Model	Dimensions	Shoe Size
F86065A6	50"H x 22"W	10" x 19"A
F86070A9	50"H x 22"W w/o brake	10" x 19"A



**Barrel Hawk™ Harrier** quickly and safely secures and transports gas and cryogenic cylinders with ease. The small footprint is ideal for negotiating narrow aisles and doorways. Ergonomically designed to reduce the chance of muscle injury. Back caster equipped with brake for added safety. Unit equipped with adjustable cylinder claw and two ratchet belt tighteners to handle a variety of cylinder types and sizes 9-18". Hydraulic pump raises cylinders 20 1/2" from floor. 800-lb. cap.

*For safety reasons, load should be only 1" from floor during transport.*

## Barrel Hawk Harrier Handler

Model No.	Description	Cylinder Size	Wheels	Load Capacity (lbs)	Product Weight (lbs)
F88576B4	Harrier	9-24" cylinders	6 x 2" poly	800	265



# Specialty Trucks



**The Multi-Use Cart** makes transferring heavy transmission cases, engines and cumbersome parts bins a safe and efficient task. Add safety to your workplace and incorporate this heavy duty transmission case truck within your distribution center, on your semis and inside your garage area. There are a variety of attachments available for multipurpose use. Order the frame with the desired tires, and choose from heavy-wall 2" sq. adjustable steel tube forks or flat forks.

Model	Description	Dimensions
F86182A4	Frame w/mold-on tires	53½"H x 24"W
F85882A3	Frame w/Never Flat tires	53½" H x 24"W
F85261A0	Flat Forks	18¾" L x 4"W
F85264A7	Transmission Forks	18¾" L x 2"H x 2"W

- One-person handling for increased safety with heavy loads
- Constructed of heavy duty 1¼" x 12-ga. wall tube frame
- Balanced for maneuverability through congested areas
- Inside fork adjustment range measures 0 - 11½"
- Rolls on 10" x 2.5" mold-on wheels, or 10"
- Never-Flat™ wheels
- Handles up to 800 lbs.



Flat Forks



Transmission Forks

## Casino Truck

Valley Craft's unique hand brake system on the Casino Truck provides a much safer and more efficient way to move heavy loads on steps and inclines. This heavy duty truck features a sliding frame that helps the operator "break over" the heavy loads more easily by allowing the frame-and-shoe assembly to slide downward as the truck is lifted back. A ratchet securely tightens and locks the strap to secure the load, and rear swivel wheels help prevent loads from tipping back as well as providing ease of movement.

Secure strapping attachment prevents twisting and allows rapid rewinding. Unit adjusts vertically on a mounting bar and can be set at the most accurate point in relation to height load. Quick release lever unlocks strap. 15' nylon strap included.



Model	Description	Frame HxW	Shoe Size	Capacity	Product Weight
F89699	Casino Truck	32" x 19"	8" x 23"	1000 lbs	85 lbs

Heavy duty pneumatic tires provide a cushioned ride.



A simple hand lever operates brake bands to both load-carrying wheels. The bands tighten around brake drums, which are part of the wheel, to slow or stop the truck as needed.

## HVAC Truck

Make handling those large bulky heating and cooling units safer and easier with an ergonomic hand truck designed for efficiency and built for durability. The 4-wheel design with loop handle makes transporting oversized loads a much more efficient task by increasing productivity and decreasing the chance for damage.



Model No.	Description	Frame H x W	Shoe Length	Load Cap. (lbs)	Product Weight (lbs)
F80233C7	Big Green HVAC Truck	62"H x 26"W x 22"D	13 ¾"	600	95 lbs
F80233R6	Big Red HVAC Truck	62"H x 26"W x 22"D	13 ¾"	600	95 lbs
F80233U5	Big Blue HVAC Truck	62"H x 26"W x 22"D	13 ¾"	600	95 lbs
F80234B6	Strapping Attachment	-	-	-	4 lbs



F80234B6 Strap Attachment

- Designed with Valley Craft's patented EZY-Tilt® system in mind
- Available in Green, Red or Blue
- Optional retractable strapping attachment available
- 1 1/8" heavy wall steel tube frame
- Forks lock automatically
- Rolls easily on pneumatic tires

The forks measure 24" and allows for safe loading and unloading of large heating and air conditioning units, or any other large palletized load, while over-sized fenders stabilize the load. The foot-activated trip pedal locks and unlocks fork position. Simply slide the angled truck forks under the load, tilt forward to lock forks in place and break-over the load. Forks lock against the frame for compact storage.

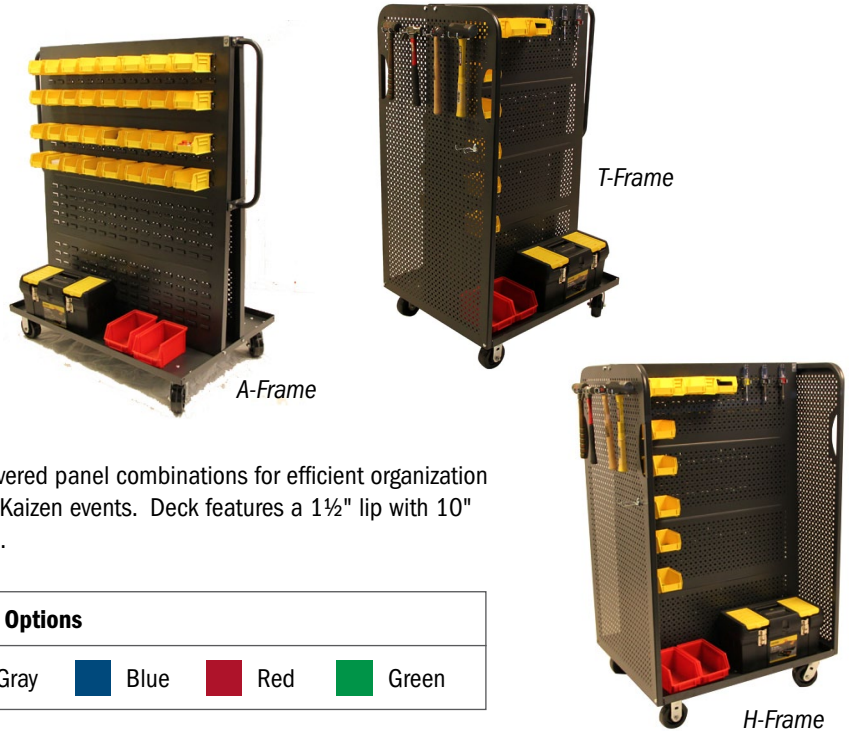


# **NEW!** Modular Frame Bin Carts





- 2 lengths to choose from: 36" & 48"
- 12-gauge deck; 16 gauge panels
- 2,000 lb. capacity
- 6" phenolic casters (2) swivel and (2) rigid

## Options:

- Optional floor lock
- 4 colors (OSHA Green, Blue, Red & Gray)
- Optional end panels can add up to 3,000 square inches of additional space
- 36" can be shipped assembled or KD (UPS ready)
- Optional Bins available



These modular trucks offer a variety of pegboard and louvered panel combinations for efficient organization of parts and supplies. Great for lean manufacturing and Kaizen events. Deck features a 1½" lip with 10" of deck space on each side of the panel for extra storage.

Color Options			
	Gray		Blue
	Red		Green

## Assembled A-Frame Base Unit

Model Gray	Model Blue	Model Red	Model Green	Panel Description	Overall Dimensions
F89552	F89552B	F89552R	F89552G	2 Louvered	36" x 30" x 62"
F89551	F89551B	F89551R	F89551G	1 Louvered, 1 Pegboard	36" x 30" x 62"
F89550	F89550B	F89550R	F89550G	2 Pegboard	36" x 30" x 62"
F89549	F89549B	F89549R	F89549G	½ & ½	36" x 30" x 62"
F89548	F89548B	F89548R	F89548G	2 Louvered	48" x 30" x 62"
F89547	F89547B	F89547R	F89547G	1 Louvered, 1 Pegboard	48" x 30" x 62"
F89546	F89546B	F89546R	F89546G	2 Pegboard	48" x 30" x 62"
F89545	F89545B	F89545R	F89545G	½ & ½	48" x 30" x 62"

## KD A-Frame Base Unit. UPS Ready!

Model Gray	Model Blue	Model Red	Model Green	Panel Description	Overall Dimensions
F80124	F80124B	F80124R	F80124G	2 Louvered	36" x 30" x 62"
F80123	F80123B	F80123R	F80123G	1 Louvered, 1 Pegboard	36" x 30" x 62"
F80122	F80122B	F80122R	F80122G	2 Pegboard	36" x 30" x 62"
F80121	F80121B	F80121R	F80121G	½ & ½	36" x 30" x 62"

## Accessories

Model Gray	Model Blue	Model Red	Model Green	Panel Description	Overall Dimensions
F89536	F89536B	F89536R	F89536G	End Panel	55" x 30"
F89530				Floor Lock	

# Heavy Duty A-Frames

**Heavy Duty A-Frame** single- or double-sided units function as a portable handling system for sorting, storing and distributing parts and supplies.

- Accessories sold separately include: open and closed-front trays, tray dividers, hanger bars with spindles, and hanger bars with pail cradles
- Single-sided unit handles up to 1,500 lbs.
- Double-sided unit handles up to 2,500 lbs.
- 63"-high with casters
- (2) swivel and (2) rigid 5" casters



*Note: Single-sided unit handles shallow trays only.*

Model	Description	Dimensions
F81812A5	Single-sided	38"W x 18"D
F81813A4	Single-sided	38"W x 24"D
F81814A3	Double-sided	38"W x 30"D
F81815A2	Double-sided	38"W x 40"D

## A-Frame Accessories

Model	Description	Dimensions
F81816A8	Deep tray 3" front lip	15"D x 6"H
F81818A6	Deep tray flush front	15"D x 6"H
F81817A7	Shallow tray 3" front lip	9"D x 3"H
F81819A5	Shallow tray flush front	9"D x 3"H
F81820A3	Hanger bar	36"W x 4"H
F81821A2	Spindle	15"Long
F85825A2	9" Tray Divider	9"D x 3"H
F85826A1	15" Tray Divider	15"D x 6"H



F81817A7



F81816A6



F81819A5



F81821A2

# Platform Trucks

## Standard Platform Trucks:

EZY-Rol™ lightweight, non-corrosive aluminum platform trucks are constructed for versatility and reliability. These trucks offer operators multifaceted opportunities for increased efficiency.

The diamond treadplate deck on the EZY-Rol™ Platform Truck prevents slipping and stabilize the load. The handle is constructed of steel tubing and can be inserted at either end of the truck. Platform trucks are also available with exclusive two wheel hand brakes for ultimate control. Solid rubber casters are recommended mainly for use on smooth, hard surfaces.

All models ship via UPS except brake models which come fully assembled.

- All-welded, aluminum, channel frame with diamond treadplate deck
- Lightweight, non-corrosive aluminum construction supports up to 2,000 lbs.
- 6" or 8" solid rubber casters



Hand brake model

## Standard Non-Tilt Platform Truck

Model	Platform	Tires	Capacity
F83710A2	24" x 36"	6" x 2"	1600 lbs
F83712A0	24" x 48"	6" x 2"	1600 lbs
F83713A9	24" x 60"	6" x 2"	1600 lbs
F83715A7	30" x 48"	6" x 2"	1600 lbs
F83716A6	30" x 60"	6" x 2"	1600 lbs
F83730A8	24" x 36"	8" x 2"	2000 lbs
F83732A6	24" x 48"	8" x 2"	2000 lbs
F83733A5	24" x 60"	8" x 2"	2000 lbs
F83735A3	30" x 48"	8" x 2"	2000 lbs
F83736A2	30" x 60"	8" x 2"	2000 lbs

## Brake Models

Model	Platform	Tires	Capacity
F83737A1	30" x 60"	10" x 2" solid	2000 lbs
F83738A0	30" x 60"	12" x 2" air	2000 lbs

# Platform Trucks

**High-End Platform Trucks** are ideal for pick-up and transport in warehouses, building centers, grocery stores and lumber marts.



- "C"-channel frame prevents trucks from buckling when carrying heavy loads
- 51"-high removable end racks
- Steel, galvanized or wood deck
- Handles up to 1,500 lbs.
- Natural tilt allows truck to turn on its own radius
- Rolls on four 4" rubber casters and two 8" molded-on casters
- All steel parts finished in baked-on gray enamel

Model	Tires
F8 7980 A0	16"W x 48"L galvanized deck
F8 7981 A9	24"W x 48"L galvanized deck
F8 7982 A8	16"W x 60"L galvanized deck
F8 7983 A7	24"W x 60"L galvanized deck
F8 7984 A6	16"W x 48"L steel deck
F8 7985 A5	24"W x 48"L steel deck
F8 7986 A4	16"W x 60"L steel deck
F8 7987 A3	24"W x 60"L steel deck
F8 7988 A2	16"W x 48"L wood deck
F8 7989 A1	24"W x 48"L wood deck
F8 7990 A0	16"W x 60"L wood deck
F8 7991 A9	24"W x 60"L wood deck

**Super Shelf Carts** are constructed of 14-gauge steel for rugged durability. Shelves are spaced 19.5" apart and top shelf includes a rubber shelf mat. Carts have 8" x 2.5" pneumatic tires.

Model No.	Description	Load Capacity	Product Weight
F81002A3	Two-Shelf Super Shelf	1600 lbs	105 lbs
F81003A2	Three-Shelf Super Shelf	1600 lbs	125 lbs



# **NEW!** Security Trucks

## Customize your security truck to meet your needs

### Standard Features:

- 2,000 lb. capacity
- All-welded 2x2" steel wire grid panels
- 3pt locking handle with steel rod locking mechanism
- Provides total security and see-through visibility
- Plastic shelf clips to attach shelves anywhere on the grid panels (Four shelf clips included per shelf)
- 250-lb. capacity shelves are available in 14-gauge steel or 3/4" layered wood
- Two swivel, two rigid casters
- Durable powder coat finish

### Color Options

- Gray
- Blue
- Red
- Green



Base unit with optional hitch shown

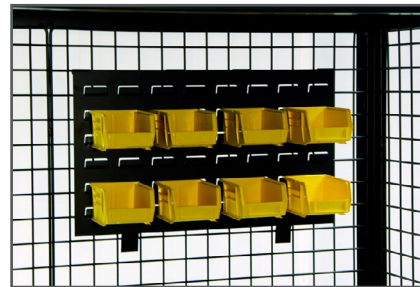
### Base Unit

Model Gray	Model Blue	Model Red	Model Green	Description	Dimensions (W x D x H)	Casters
F89557	F89557B	F89557R	F89557G	24" Deep Security Truck	48" x 24" x 66"	Four - 8" Mold-On Rubber
F89556	F89556B	F89556R	F89556G	30" Deep Security Truck	60" x 30" x 66"	Four - 8" Mold-On Rubber

Custom options and sizes available. Ships fully assembled (casters, handle and shelving require minimal assembly)

### Customize with Accessories:

- Wood or steel shelving
- Digital security lock
- Louvered panels for parts bins
- Pegboard panel for tools
- 6th wheel option for pinpoint turning
- Fork pockets
- Hitch package for towing
- Hand truck carrier
- Optional removable handle
- Additional bins available



Optional louvered panel for parts bins

### Accessories

Model Gray	Model Blue	Model Red	Model Green	Description
F89563				Digital Security Lock
F89558	F89558B	F89558R	F89558G	Fork Pockets (4)
F89559	F89559B	F89559R	F89559G	Hand Truck Carrier
F89560	F89560B	F89560R	F89560G	Hitch System (towbar + hitch)
F89561				6th Wheel Swivel Casters
F89562	F89562B	F89562R	F89562G	Removable Louvered Panel (23.5"W x 19" H)
F89718A4	F89718A1	F89718A3	F89718A2	48" x 24" Metal Shelf
F89714A4	F89714A1	F89714A3	F89714A2	60" x 30" Metal Shelf
F89712				48" x 24" Wood Shelf
F89710				60" x 30" Wood Shelf
F89553				24" Removable Handle
F89554				30" Removable Handle



## EZ Dump Hopper System

The Hydraulic EZ Dump Hopper System increases productivity and lowers overhead expenses by reducing employee downtime and decreasing the number of fork lifts needed to complete jobs. The mobile hoppers allow employees to move aside fully loaded hoppers to await fork lift pickup while rolling in an empty hopper to continue production uninterrupted.



As easy as 1,2,3:



Step 1: Connect the attachment in as little as 30 seconds.



Step 2: Mobile hoppers easily and securely roll into attachment.



Step 3: Attachment and hopper design allow for 100% dumping capability.

**The Hydraulic Dumping Fork Truck Attachment** quickly attaches to the forks in as little as 30 seconds when a hopper is ready to be dumped. Once this is completed, the fork lift is now ready to collect, move and dump fully loaded hoppers. The design of the dumper and hopper allow for 100% dumping capability.

This lift truck-powered attachment requires an auxiliary valve control and hydraulic quick couplers on the lift truck. A secure latching system automatically locks hoppers to the attachment. The driver releases the hoppers with a pull of the cord. The EZ Hopper Fork Truck Attachment can easily be removed, freeing up the fork truck to complete other jobs.



Model No.	Description	Load Capacity	Overall L x W	Usable Fork Tube Size	Distance Between Forks	Net Weight
F89681	EZ Dump Fork Truck Attachment	2,000 lbs	40.5" x 41"	2.5" x 6.5" x 31.5"	27.5"	280 lbs

**Auto Lock Hoppers** are 14-gauge steel and feature watertight continuous welds. Also included are two fixed and two swivel 6" casters. All hoppers have tapered fronts to help initiate dumping. Custom sizes are available within the 2,000 lbs. limitation of the attachment.

Model No.	Capacity Bulk	Dimensions H x W x L	Net Weight
F89679	1/2 cubic yard Hopper	30" x 30" x 46"	150 lbs
F89680	1 cubic yard Hopper	45" x 30" x 53"	200 lbs



\*Custom sizes available within the limits of the basic attachment unit. Stainless steel also a custom option.





# Waste & Chip Trucks

EZY-Rol™ brand tilt trucks are manufactured to handle bulky loads with stability and ease. The tapered end style of these uniquely designed units make them adaptable to a variety of material handling needs.

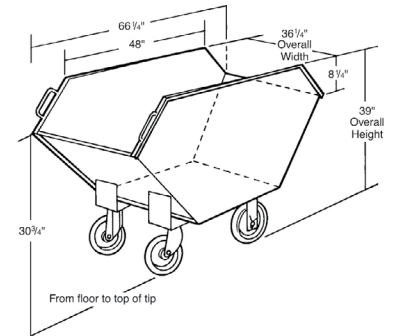


**4-Wheel Dual Tapered Tilt Trucks** are constructed of 14-ga. steel with leak-proof solid welds on the seams for long-lasting, dependable service. The running gear consists of two fixed casters reinforced by steel tubing, and two swivel steering casters. Tapered ends allow tilt truck to adapt to virtually any material handling situation, and provide for safe and easy loading and unloading. Hemmed lip around the top edge of the truck provides reinforcement with bulky loads, and steel handles aid in maneuvering trucks. Rolls on 8" molded-on solid casters.

## 4-Wheel Dual-Tapered End Style

2 fixed casters, 2 rear swivel steering casters

Model	Dimensions	Tires	Capacity
F85142A5	39H" x 68L" x 30W"	Mold-On	14.3 cu. ft. / 2000 lbs.
F85161A1	39H" x 68L" x 36W"	Mold-On	17.2 cu. ft. / 2000 lbs.

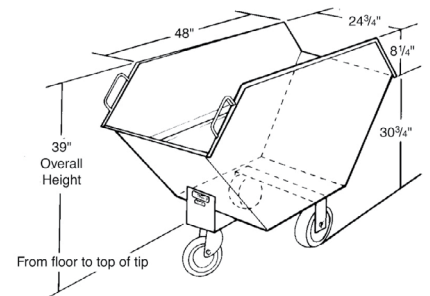


**3-Wheel Dual Tapered Tilt Trucks** roll on two axle-mounted wheels with ball bearings and one rear swivel caster with roller bearings. Truck is constructed of 14-ga. steel with leak-proof solid welds on the seams. Tapered ends allow tilt truck to adapt to virtually any material handling situation, and provide for safe and easy loading and unloading. Hemmed lip around the top edge of the truck provides reinforcement with bulky loads, and steel handles aid in maneuvering trucks. Rolls on 8" molded-on solid casters.

## 3-Wheel Dual-Tapered End Style

2 fixed casters, 1 rear swivel steering caster

Model	Dimensions	Tires	Capacity
F85096A1	39H" x 68L" x 24W"	Mold-On	11.2 cu. ft. / 1500 lbs.

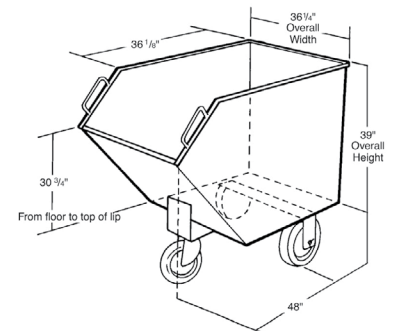


**3-Wheel Tapered Tilt Trucks** roll on two axle-mounted wheels with ball bearings and one swivel caster with roller bearings mounted at either the tapered end of truck or flat end. Truck is constructed of 14-ga. steel with leak-proof solid welds on the seams. Tapered ends allow tilt truck to adapt to virtually any material handling situation, and provide for safe and easy loading and unloading. Hemmed lip around the top edge of the truck provides reinforcement with bulky loads, and steel handles aid in maneuvering trucks. Rolls on 8" molded-on solid casters.

## 3-Wheel Single-Tapered End Style

2 fixed casters, 1 rear swivel on tapered end / 2 fixed casters, 1 front swivel on flat end

Model	Dimensions	Tires	Capacity
F85056A9	39H" x 48L" x 24W"	Mold-On	9 cu. ft. / 1000 lbs.
F85057A8	39H" x 48L" x 24W"	Mold-On	9 cu. ft. / 1000 lbs.



# Four-Wheel Steer Trailers

## Precision-Track Quad Steer Trailers

Valley Craft's newly redesigned Precision-Track Quad Steer Trailers offer versatile customization to meet the most demanding transport requirements. Our unique design enables true tracking within 2", creating one of the most precise tracking trailers in the industry. The trailers wrap around corners and accurately track in the smallest footprint possible with virtually no drift, decreasing the amount of space needed for trailer paths. Our trailers also feature a simple, low maintenance design with the ability for customization to meet specific application needs.

Our Precision-Track trailers offer versatility at its best. Our trailer options empower customers to build their Precision-Track trailer to meet their specific needs. Options include choosing the deck size and capacity as well as wheel, drawbar and hitch groups. If more customization is needed, simply contact Valley Craft Customer Service at 651-345-3386 or visit [www.valleycraft.com](http://www.valleycraft.com) and our engineering staff can help you design the Precision-Track trailer that's right for you.



### Trailer Deck Groups Include:

Trailer Deck, Running Gear, Tie Rod & Tongue

Model No.	Deck W x L	Front of Draw-bar To Trailer	Height (top of deck to middle spindle)	Load Capacity
F68932A4	36 x 60"	34.5"	11.2"	2000 lbs
F68933A5	36 x 72"	34.5"	11.2"	2000 lbs
F68934A6	48 x 60"	34.5"	11.2"	2000 lbs
F68935A7	48 x 96"	23.5"	11.2"	2000 lbs
F68818A6	36 x 60"	36"	13.5"	4000 lbs
F68819A7	36 x 72"	35"	13.5"	4000 lbs
F68820A8	48 x 60"	36"	13.5"	4000 lbs
F68821A9	48 x 96"	25.5"	13.5"	4000 lbs
F68920A0	54 x 102"	25.5"	13.5"	4000 lbs
F68927A9	54 x 120"	25.5"	13.5"	4000 lbs
F68822A0	36 x 72"	35"	13.5"	6000 lbs
F68841A9	48 x 60"	36"	13.5"	6000 lbs
F68859A3	48 x 96"	25.5"	13.5"	6000 lbs
F68924A6	54 x 102"	25.5"	13.5"	6000 lbs
F68930A2	54 x 120"	25.5"	13.5"	6000 lbs
F68815A3	36 x 72"	35"	13.5"	8000 lbs
F68814A2	48 x 60"	36"	13.5"	8000 lbs
F68813A1	48 x 96"	25.5"	13.5"	8000 lbs
F68925A7	54 x 102"	25.5"	13.5"	8000 lbs



# Four-Wheel Steer Trailers

## Standard Wheel Options:



10" x 2.5" Mold-On



12" x 3" Poly



16" x 8" Pneumatic



16" x 8" Pneumatic Foam

## Trailer Wheel Groups Include:

4 Wheels & Mounting Hardware

Model No.	Description	Load Capacity
F63723A0	10 x 2.5" Molded-On	2000 lbs
F63670A4	16 x 8" Pneumatic Foam	2000 lbs
F63726A7	16 x 8" Pneumatic	2000 lbs
F63725A8	12 x 3" Poly	4000 lbs
F68805A3	16" Pneumatic	4000 lbs
F68804A2	16" Pneumatic Foam	4000 lbs
F68803A1	20" Pneumatic	6000 lbs
F68802A0	20" Pneumatic Foam	6000 lbs
F68797A5	21" Pneumatic	8000 lbs
F68796A4	21" Pneumatic Foam	8000 lbs

Choose One

## Trailer Drawbar & Hitch Groups Include:

Drawbar & Hitch Attachments & Mounting Hardware

Model No.	Description	Load Capacity
F68809A7	Pin & Clevis Tongue & Hitch	2, 4, 6 & 8000 lbs
F68808A6	Ball Hitch & Coupler Tongue	2, 4, 6 & 8000 lbs
F68807A5	Ring Tongue & Pintle Hitch	2, 4, 6 & 8000 lbs
F68806A4	Auto Latch Hitch & Tongue	2 & 4000 lbs

Choose One

## Drawbar & Hitch Options:

Drawbar:



Pin & Clevis Tongue



Coupler Tongue



Ring Tongue



Auto Latch Tongue

Hitch:



Pin & Clevis Hitch



Ball Hitch



Pintle Hitch



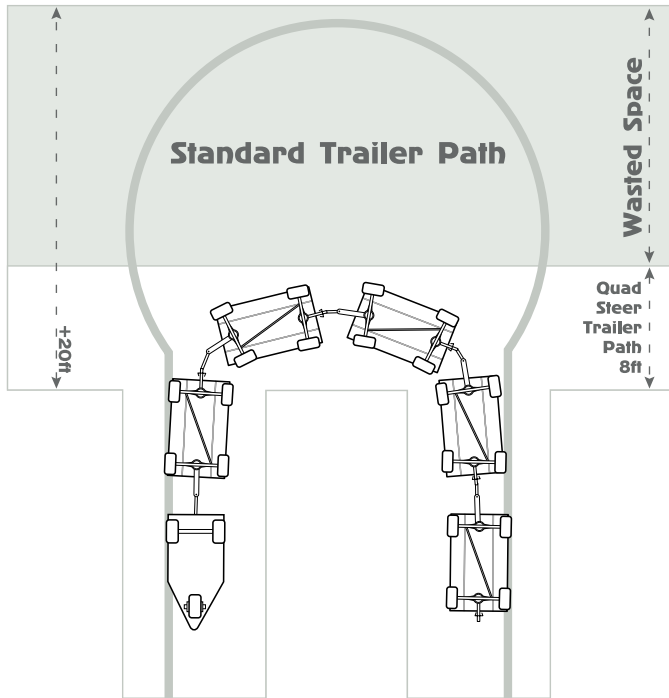
Auto Latch Hitch



# Four-Wheel Steer Trailers

## Tracking Style Trailers

Valley Craft's Quad Steer Trailers reduce the space needed for trailer operation.



**CUSTOM DESIGN:** We can build to your specifications, or our engineering staff can design a trailer to meet your needs, including but not limited to, special enclosures, shelves, curtains, decks and alternative materials..

### Features and Options:

Trailers are painted OSHA Safety Green unless optional color is requested.

Model No.	Description	Trailer Size
F63713A0	Corner Bumpers (4 bumpers & mounting hardware)	Any
F63714A9	Corner Pockets (4 pockets & mounting hardware)	Any
F53874A6	End Pipe (must be used w/ corner pockets)	36" wide
F53873A7	End Pipe (must be used w/ corner pockets)	48" wide
F63720A3	1/2" Sound Dampening Wood Deck	36" x 60"
F63876A6	1/2" Sound Dampening Wood Deck	36" x 72"
F63719A4	1/2" Sound Dampening Wood Deck	48" x 60"
F63718A5	1/2" Sound Dampening Wood Deck	48" x 96"
F50344	END PIPE-TRLR 36 45DEG	Any
F50345	END PIPE-TRLR 48 45DEG	Any
F68842A0	POCKET-BOLT-ON CRNR 45DEG KIT	Any
F68795A3	BUMPER-BOLT-ON CRNR 45DEG	Any
Colors	*Optional: Black, Blue, Gray, Red, Tan	Any

### Custom Options:

Model No.	Description	Trailer Size
Special	Drop-Tongue Brake	Any
Special	Lip	Any
Special	Enclosure	Any

#### Drop Tongue Brake:

Consists of spring-loaded wheel stop connected to the tongue. Available on trailers with 16" air wheels only.



**Enclosures:** Sides and doors make trailers a storage solution as well as a transportation solution.



**1 1/2" Lip:** Available around entire bed on all steel deck trailers. Higher and lower lips available upon request.



Custom Options



Made with pride in the U.S.A.

# Box Dumpers

## Heavy Duty Box Dumpers

All Valley Craft Box Dumpers bolt directly to the floor, ensuring reliability and stability throughout operation. Heavy-duty all-welded steel dumpers are designed to manage the heaviest of loads, ranging from 2,000 to 6,000 pounds load capacity. Dumpers are fully powered up and gravity down and contents dump completely within one minute to ensure time-efficient usage. Chutes have a 1/4" plate steel base with 7-ga. sides. Handy rotary-switch control activates chute, lifting dumper to your choice of a 36", 48", 60" or 72" dump height. Dumpers have an adjustable hold down bar that can be placed at 30-42" (on 2" centers).

Customized product features including casters, variable speed control, stainless steel, 230V power option and higher dump heights are also available. Please contact Valley Craft Customer Service at 651-345-3386 for additional information.

### Box Dumpers can handle:

- Cartons
- Vats
- Corrugated steel containers
- Gaylords
- Totes
- Poly containers
- Tubs
- Troughs
- Bulkntainers



## 2,000 lb Capacity Box Dumpers

Model No.	Dump Height	Chute L x W	Chute Reach	Frame Width	Horizontal Clearance	Overhead Clearance	Weight (lbs)
F80193A3	36"	36 x 36"	12.5"	51"	72"	111"	1,226
F80184A4	36"	48 x 51"	12.5"	66"	81"	119"	1,525
F80190A0	48"	36 x 36"	10"	51"	79"	127"	1,400
F80181A1	48"	48 x 51"	10"	66"	87"	135"	1,575
F80187A7	60"	36 x 36"	5"	51"	83"	138"	1,400
F80178A8	60"	48 x 51"	5"	66"	91"	146"	1,668
F80175A5	72"	36 x 36"	5"	51"	92"	159"	1,675
F80172A2	72"	48 x 51"	5"	66"	98"	167"	1,950

## 4,000 lb Capacity Box Dumpers

Model No.	Dump Height	Chute L x W	Chute Reach	Frame Width	Horizontal Clearance	Overhead Clearance	Weight (lbs)
F80192A2	36"	36 x 36"	12.5"	51"	72"	111"	1,500
F80183A3	36"	48 x 51"	12.5"	66"	81"	119"	1,800
F80189A9	48"	36 x 36"	10"	51"	79"	127"	1,600
F80180A0	48"	48 x 51"	10"	66"	87"	135"	2,100
F80186A6	60"	36 x 36"	5"	51"	83"	138"	1,750
F80177A7	60"	48 x 51"	5"	66"	91"	146"	2,000
F80174A4	72"	36 x 36"	5"	51"	83"	149"	2,000
F80171A1	72"	48 x 51"	5"	66"	91"	158"	2,275

## 6,000 lb Capacity Box Dumpers

Model No.	Dump Height	Chute L x W	Chute Reach	Frame Width	Horizontal Clearance	Overhead Clearance	Weight (lbs)
F80191A1	36"	36 x 36"	12.5"	51"	72"	111"	1,500
F80182A2	36"	48 x 51"	12.5"	66"	81"	119"	1,825
F80188A8	48"	36 x 36"	10"	51"	79"	127"	1,600
F80179A9	48"	48 x 51"	10"	66"	87"	135"	2,100
F80185A5	60"	36 x 36"	5"	51"	83"	138"	1,750
F80176A6	60"	48 x 51"	5"	66"	91"	146"	2,000
F80173A3	72"	36 x 36"	5"	51"	83"	149"	2,000
F80170A0	72"	48 x 51"	5"	66"	91"	158"	2,275



# Work Tables

Valley Craft's Work Tables are manufactured with ergonomically-designed legs that adjust from 28" to 42" high and fold down for easy transport and storage.



- Steel or wood top
- Tops are channel formed and welded on all four corners
- Wood tops are medium density fiberboard
- 2,000 lbs. capacity
- Stringer shelf & center leg support available for 120" table only

Model	Description
F87857A3	28"W x 84"L steel top
F87858A2	34"W x 84"L steel top
F87859A1	48"W x 84"L steel top
F87860A0	28"W x 96"L steel top
F87861A9	34"W x 96"L steel top
F87862A8	48"W x 96"L steel top
F87863A7	28"W x 120"L steel top
F87864A6	34"W x 120"L steel top
F87865A5	48"W x 120"L steel top
F87866A4	28"W x 84"L wood top

Model	Description
F87867A3	34"W x 84"L wood top
F87868A2	48"W x 84"L wood top
F87869A1	28"W x 96"L wood top
F87870A0	34"W x 96"L wood top
F87871A9	48"W x 96"L wood top
F87872A8	28"W x 120"L wood top
F87873A7	34"W x 120"L wood top
F87874A6	48"W x 120"L wood top
F86295A4	Optional Stringer Shelf

## Post Protectors

### Universal Post Protectors:

The Universal Post Protector is designed to protect almost any industrial racking system on the market. Heavyduty 1/4" steel makes the Post Protector virtually indestructible. It will add years to the life of your existing racks by protecting the posts from accidental denting and marring. Includes hardware for installation. Measures 6"W x 7 1/4"D.

### Post Protector

Model	Height	Color	Weight
F85061A2	12"	Safety Yellow	8 lbs
F85060A3	18"	Safety Yellow	10 lbs
F85062A1	24"	Safety Yellow	12 lbs

